



## ULT / Low Temperature Freezers

GB Instructions for use  
DE Bedienungsanleitung  
FR Mode d'ém

ES Instrucciones para el uso  
DK Brugsanvisning  
RUS Инструкция по эксплуатации

## Warning

As the appliance contains a flammable refrigerant, it is essential to ensure that the refrigerant pipes are not damaged.

Standard EN378 specifies that the room in which you install your appliance must have a volume of 1m<sup>3</sup> per 8 g of hydrocarbon refrigerant used in the appliances. This is to avoid the formation of flammable gas/air mixtures in the room where the appliance is located in the event of a leak in the refrigerant circuit. The quantity of the refrigerant used in your appliance is indicated on the rating plate.

### **WARNING:**

Keep ventilation openings in the appliance's cabinet or in the built-in structure clear of obstruction

### **WARNING:**

Do not use other **mechanical devices** or other means to accelerate the defrosting process than those recommended by the manufacturer

### **WARNING:**

Do not damage the refrigerant system

### **WARNING:**

Do not use **electrical appliances** inside the refrigerated storage compartment, unless they are of a type recommended by the manufacturer

### **WARNING:**

Do not expose the appliance to rain, and secure not splashing water when cleaning the floor.

### **WARNING:**

This appliance is not intended for use by persons (including children) with reduced physical, sensory or mental capabilities, or lack experience and knowledge, unless they have been given supervision or instructions concerning use of the appliance by a person responsible for their safety. Children should be supervised to ensure that they do not play with the appliance.

### **WARNING:**

Children must not play with, on, or around the appliance.

**WARNING:**

Children must not clean the appliance or carry out general maintenance unless they are at least 8 years old and are being supervised.

**WARNING:**

Danger risk of fire or explosion. Flammable refrigerant used. To be repaired only by trained personnel.

**WARNING:**

Do not store explosive substances such as aerosol cans with a flammable propellant in this appliance.

**WARNING:**

Sharp edges on cabinet, compressor compartment, evaporator, ventilation cover and on internal equipment can occur. Please be aware to avoid injury.

**WARNING:**

The condenser on the back of the appliance will in some cases

have a hot surface. Please be aware to avoid injury.

- Always keep the keys in a separate place and out of reach of children
- Before servicing or cleaning the appliance, unplug the appliance from the mains or disconnect the electrical power supply
- If the supply cord is damaged, it must be replaced by the manufacturer, its service agent, or similarly qualified persons in order to avoid a hazard
- **Relevant for Australia:** Supply cord fitted with a plug complies with AS/NZS 3112.
- Frost formation on the interior evaporator wall and upper parts is a natural phenomenon. Therefore, the appliance should be defrosted during normal cleaning or maintenance.
- Please note that changes to the appliance construction will cancel all warranty and product liability



# Contents

Warning .....	2
Electrical connection.....	3
Get to know your chest freezer .....	5
Installation and start-up .....	6
Operation and function .....	7
Defrosting .....	8
Cleaning and maintenance.....	9
Fault finding .....	10
Warranty, spare parts and Service .....	11
Disposal.....	12

# Electrical connection

Wiring and connections in power supply systems must be all applicable (local and national) electrical codes. Consult these codes lengths and sizes prior to cabinet installation.

This device complies with relevant EU directives including Low Voltage Directive 2014/35/EU and Electromagnetic Compatibility Directive 2014/30/EU

The socket should be freely accessible.

Connect the appliance only to 220/240 V / 50Hz alternating current via a correctly installed earthed socket.

The socket must be fused with a 10 A - 13 A fuse.

If the appliance is to be operated in a non-European country, check on the rating plate whether the indicated voltage and current type correspond to the values of your mains supply.

### **Information regarding voltage, current or power are given on the rating plate.**

The power cord may be replaced by a technician only.

The rating plate provides various technical information as well as type and serial number.

# Get to know your chest freezer

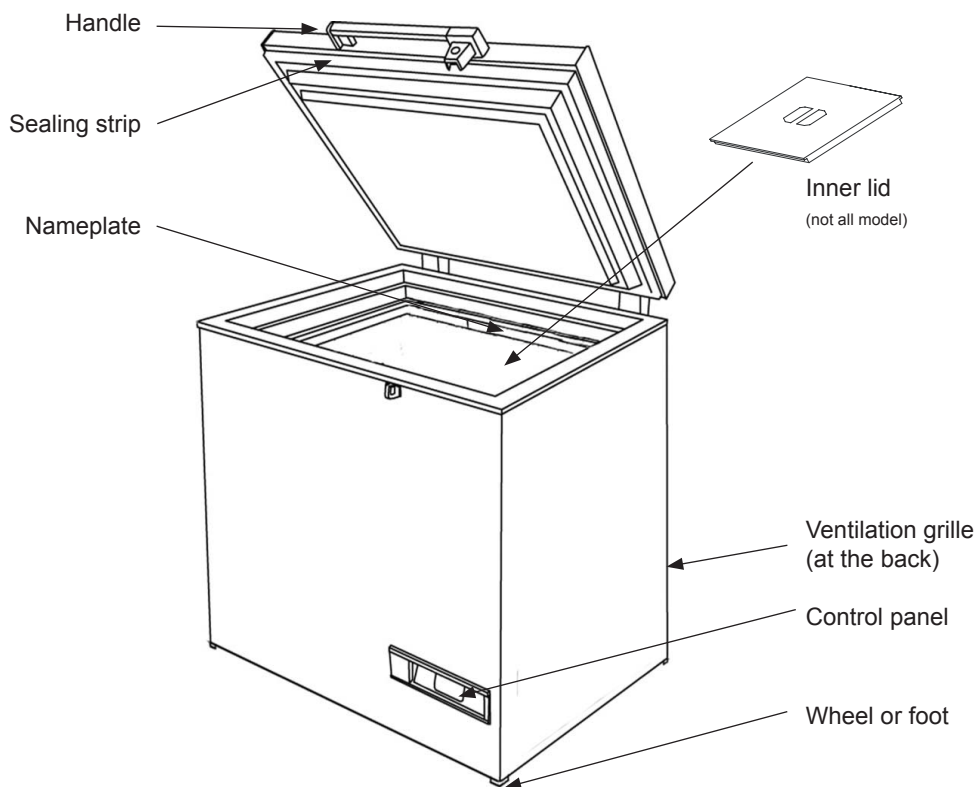


fig. 1

# Installation and start-up

## Room temperature

The climate class is stated on the nameplate (see page 10). This specifies the optimum room temperature.

<b>SP = -82</b>	<b>SP = -86</b>
+16 °C to +25 °C	+16 °C to +20 °C

## Ventilation

It is important that the appliance be well ventilated and that air can circulate unhindered above, below and around it. Figure 2 illustrates how the necessary air circulation can be ensured.

## Placement

For safety and operational reasons, the appliance must not be installed outdoors.

The appliance should be placed on a stable, level surface in a dry, well-ventilated room (max. 75% relative air humidity).

Never place the appliance close to sources of heat such as radiators, and avoid placing it in direct sunlight.

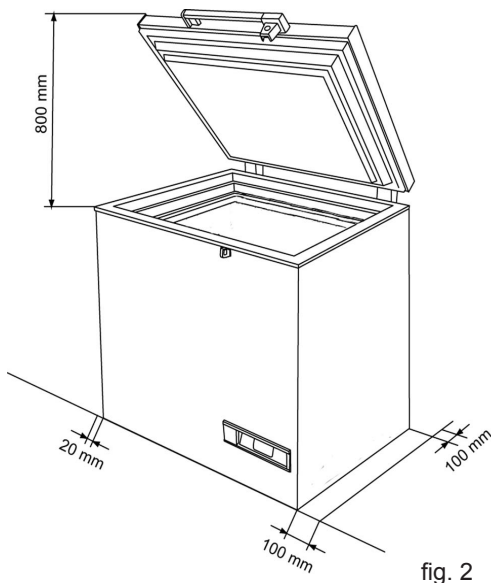


fig. 2

There must be at least 35 mm clearance between the base of the appliance and the floor.

**IMPORTANT!** There must be free access to the ventilation grille (fig. 3).

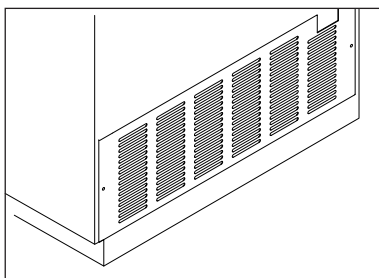


fig. 3

## Operation and function

The appliance is equipped with electronic controls (fig. 4).

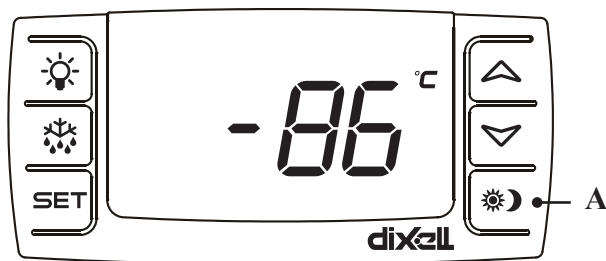


fig. 4

For operation of the electronic control, reference is made to the separate instruction manual enclosed in the appliance.

### Additional information

**NOTE:** The first time the power is connected, press the “A” (Fig. 4), thereby the alarm will be connected

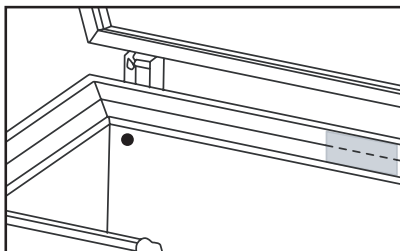
The appliance is equipped with a battery back-up. The alarm will automatically go off by power supply failure.

Therefore it is important to disconnect the alarm, in case the appliance is not to be used for a period.

Set the alarm off by pressing the “A” (fig. 4), and display shows “OFF”, and then disconnect the power supply.

### Port hole

Some models has a predrilled hole at the back side. Useful in case CO<sub>2</sub> back up or introduction of wire sensor may be required.



Not all models

# Defrosting

The items stored in the freezer and the humidity of the surrounding air gradually cause frost and ice to form inside the freezer. A thin layer of frost or ice does not affect freezer performance, but the thicker the layer, the higher the energy consumption. Small amounts of loose frost can be removed using a plastic scraper.

**Never use electrical apparatus or sharp implements as these may damage the inside of the appliance.**

When the layer of frost and ice exceeds 4-5 mm the freezer should be completely defrosted. It is recommended that defrosting be performed when there are no or only a few items stored in the freezer.

Proceed as follows:

1. Pull out the power plug
2. Place a bowl of hot (but not boiling) water in the freezer, close the lid and wait approx. 30 minutes before removing loose frost with a plastic scraper.
3. When all the frost and ice have melted, clean the inside of the appliance using water with a mild, perfume-free detergent. Dry the freezer with a soft cloth.
4. Reconnect the power supply.
5. Return items to the freezer when the required temperature has been reached.



# Cleaning and maintenance

## Cleaning

Before cleaning, disconnect the power supply and remove all loose fittings.

The appliance is best cleaned using lukewarm water with a little mild, perfume-free detergent. Never use cleaning agents that scour. Use a soft cloth. Rinse with clean water and dry thoroughly. It is important to prevent water from entering the control panel.

The sealing strip around the lid must be cleaned regularly to prevent discolouration and prolong service life. Use clean water. After cleaning the sealing strip, check that it continues to provide a tight seal.

It is recommended that the wire and tubular condensers on the rear of the appliance be cleaned.

The ventilation grille must also be kept free of dust and dirt. Clean it with a vacuum cleaner.

If the appliance is not to be used for any length of time, switch it off, disconnect the power supply, empty it, clean the inside and leave the lid open to allow air circulation and prevent smells.

After each opening of both the lid and lower lid it is recommended to clean both the lid, the lower lid and the frame for water, condensation or the like.

## Save energy

- Keep the lid closed as much as possible.
- Check regularly that the lid closes tightly.
- Position the freezer in a cool (min. 5°C), well-ventilated room.
- Defrost the freezer before the layer of ice becomes excessively thick.

## Fault finding

Fault	Possible cause	Remedy
There is no light in the display	The appliance is switched off.  Power failure; the fuse is blown; the appliance is not plugged in correctly.	Check the plug and socket.  Check that power is connected. Reset the fuse.
Temperature in freezer too high.	The ventilation grille is blocked.  The lid is not closed properly.  The quantity of items placed in the freezer at a time is greater than the capacity of the appliance.  Thick layer of frost and ice.  The thermostat is set too high.  The lid is prevented from closing tightly by items stored in the freezer.	Ensure unhindered air circulation.  Close the lid and wait a few hours.  Wait a few hours.  Defrost the freezer.  Set the thermostat to a lower temperature. Reposition items inside the freezer and check that the lid closes tightly.
Temperature in freezer too low.	The thermostat is set too low.	Set the thermostat to a higher temperature.
The freezer produces large quantities of frost.	Air humidity in the room is high.  Items placed in the freezer are giving off moisture.	Ventilate the room more often or move the freezer to a room with lower humidity.  Repack items stored in the freezer.
The lid cannot be opened.	Underpressure in freezer.	Wait 2-3 minutes until the underpressure has been equalised and try again.
Vibration and unusual noise.	The appliance is not on a level surface.  The appliance is not free standing.  Partition are loose.	Position the freezer on a flat, level and stable surface.  Move the appliance away from other appliances or pieces of furniture.  Check movable fittings and reposition them.

# Warranty, spare parts and service

## Warranty disclaimer

Faults and damage caused directly or indirectly by incorrect operation, misuse, insufficient maintenance, incorrect building, installation or mains connection. Fire, accident, lightening, voltage variation or other electrical interference, including defective fuses or faults in mains installations are not covered by the warranty.

Repairs performed by others than approved service centres and any other faults and damage that the manufacturer can substantiate are caused by reasons other than manufacturing or material faults are not covered by the warranty.

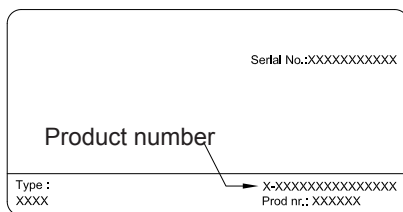
Please note that changes to the construction of the appliance or changes to the component equipment of the appliance will invalidate warranty and product liability, and the appliance cannot be used lawfully. The approval stated on rating plate will also be invalidated.

Transport damage discovered by the buyer is primarily a matter to be settled between the buyer and the distributor, i.e. the distributor must ensure that such complaints are resolved to the buyer's satisfaction.

Before calling for technical assistance, please check whether you are able to rectify the fault yourself. If your request for assistance is unwarranted, e.g. if the appliance has failed as a result of a blown fuse or incorrect operation, you will be charged the costs incurred by your call for technical assistance.

## Spare parts

When ordering spare parts, please state the type, serial and product numbers of your appliance. This information is given on the rating plate. The rating plate contains various technical information, including type and serial numbers.



# Disposal

## *Information for Users on Collection and Disposal of Old Equipment and used Batteries*



These symbols on the products, packaging, and/or accompanying documents mean that used electrical and electronic products and batteries should not be mixed with general household waste. For proper treatment, recovery and recycling of old products and used batteries, please take them to applicable collection points, in accordance with your national legislation and the Directives 2012/19/EU and 2006/66/EC.

By disposing of these products and batteries correctly, you will help to save valuable resources and prevent any potential negative effects on human health and the environment which could otherwise arise from inappropriate waste handling.

For more information about collection and recycling of old products and batteries, please contact your local municipality, your waste disposal service or the point of sale where you purchased the items.

Penalties may be applicable for incorrect disposal of this waste, in accordance with national legislation.



## **For business users in the European Union.**

If you wish to discard electrical and electronic equipment, please contact your dealer or supplier for further information.

## **Information on Disposal in other Countries outside the European Union**

These symbols are only valid in the European Union. If you wish to discard this product, please contact your local authorities or dealer and ask for the correct method of disposal.

## **Note for the battery symbol**



This symbol might be used in combination with a chemical symbol. In this case it complies with the requirement set by the Directive for the chemical involved.



## Warnung

Da ein brennbares Gas als Kältemittel in diesem Gerät dient, ist es wichtig sicherzustellen, dass kein Teil des Kühlkreislaufs oder der Rohre beschädigt ist.

### **Die Menge und Art von Kältemittel im Gerät ist auf dem Typenschild angegeben.**

Der Standard EN378 spezifiziert, dass der Raum, in dem das Gerät installiert wird, ein Volumen von 1m<sup>3</sup> pro 8 g Kohlenwasserstoff-Kältemittel, das im Gerät verwendet ist, haben soll. Dies ist zu beachten, um die Bildung von leicht entzündlichen Gasgemischen in dem Raum, wo das Gerät installiert ist, zu vermeiden, falls eine Undichtigkeit des Kühlkreislaufs entsteht.

### **WARNUNG:**

Decken Sie die Lüftungsöffnungen am Geräte oder am Einbaumodul nicht ab.

### **WARNUNG:**

Verwenden Sie keine anderen mechanischen Geräte oder Hilfsmittel um den Entfrostsprozess zu beschleunigen, als die Geräte, die vom Hersteller empfohlen sind.

### **WARNUNG:**

Beschädigen Sie nicht den Kühlkreislauf.

### **WARNUNG:**

Verwenden Sie keine elektrischen Geräte im Gerät, es sei denn, dass die Geräte vom Hersteller empfohlen sind.

### **WARNUNG:**

Das Gerät vor Regen schützen, und bei der Fußbodenreinigung Spritzwasser vermeiden.

### **WARNUNG:**

Dieses Gerät kann von Kindern ab 8 Jahren und Personen mit reduzierten physischen, sensorischen oder mentalen Fähigkeiten oder Mangel an Erfahrung oder Wissen benutzt werden, wenn sie von einer Person, die für ihre Sicherheit verantwortlich ist, beaufsichtigt oder von ihr bezüglich des sicheren Gebrauchs des Gerätes unterwiesen wurden und sie die daraus resultierenden Gefahren verstanden haben.

### **WARNUNG:**

Kinder dürfen nicht mit dem Gerät spielen.

**WARNUNG:**

Reinigung und Benutzer-Wartung dürfen nicht durch Kinder durchgeführt werden, es sei denn, sie sind 8 Jahre und älter und werden beaufsichtigt.

**WARNUNG:**

Keine Produkte mit brennbaren Treibgasen (z. B. Spraydosen) und keine explosiven Stoffe lagern. **Explosionsgefahr!**

**WARNUNG:** Gefahr von Feuer oder Explosion wenn brennbares Kältemittel ist verwendet. Darf nur von Fachpersonal repariert werden.

**WARNING:**

An Gehäuse, Kompressorteil, Verdampfer, Lüfterverkleidung und an Innenteilen können scharfe Kanten vorhanden sein. Bitte Vorsicht walten lassen, um Verletzungen zu vermeiden.

**WARNING:**

Der Verflüssiger hinten am Gerät hat zeitweise eine heiße Oberfläche. Bitte Vorsicht walten lassen, um Verletzungen zu vermeiden.

- Vor Reparatur oder Reinigung des Gerätes den Netzstecker von der Steckdose ziehen.
- Wenn die Anschlussleitung beschädigt ist, muss sie nur vom Hersteller, dem Serviceagent des Herstellers oder einem anderen Fachmann ausgewechselt werden, um Gefahr zu vermeiden.
- Bildung von Reif auf der inneren Verdampferplatte und den obersten Teilen ist normal. In Verbindung mit Reinigung oder Wartung muss das Gerät deshalb entfrosten werden.
- Beachten Sie bitte, dass Änderungen der Konstruktion dieses Gerätes zur Folge haben, dass die Garantie und Produkthaftung erlöschen.

## Inhalt

Warnung .....	2
Elektrischer Anschluss.....	3
Lernen Sie Ihr Gefriergerät kennen.....	5
Inbetriebnahme und Installation .....	6
Bedienung und Funktion.....	7
Abtauen .....	8
Reinigung und Wartung.....	9
Fehlersuche.....	10
Reklamation, Ersatzteile und Service.....	11
Entsorgung .....	12

## Elektrischer Anschluss

Verkabelung und Anschlüsse in Stromversorgungssystemen müssen allen (örtlichen und nationalen) Elektrovorschriften entsprechen. Machen Sie sich vor dem Einbau mit den Angaben in diesen Vorschriften vertraut

Dieses Gerät entspricht den einschlägigen EU-Richtlinien einschließlich:  
Niederspannungsrichtlinie 2014/35/EU  
Elektromagnetische Kompatibilitätsrichtlinie 2014/30/EU

Die Steckdose sollte frei zugänglich sein. Das Gerät an 220/240 V / 50Hz Wechselstrom über eine vorschriftsmäßig installierte Steckdose anschließen.

Die Steckdose muss mit einer 10-A -13 A Sicherung abgesichert sein.

Bei Geräten, die in nicht-europäischen Ländern betrieben werden, ist auf dem Typenschild zu überprüfen, ob die angegebene Spannung und Stromart mit den Werten Ihres Stromnetzes übereinstimmt.

### **Informationen über Spannung und Leistungsaufnahme / Strom sind auf dem Typenschild.**

Das Typenschild, das sich im Gerät befindet, enthält verschiedene technische Angaben sowie Typen- und Seriennummer.

Ein eventuell notwendiger Austausch der Netzanschlussleitung darf nur durch einen Fachmann erfolgen



# Lernen Sie Ihr Gefriergerät kennen

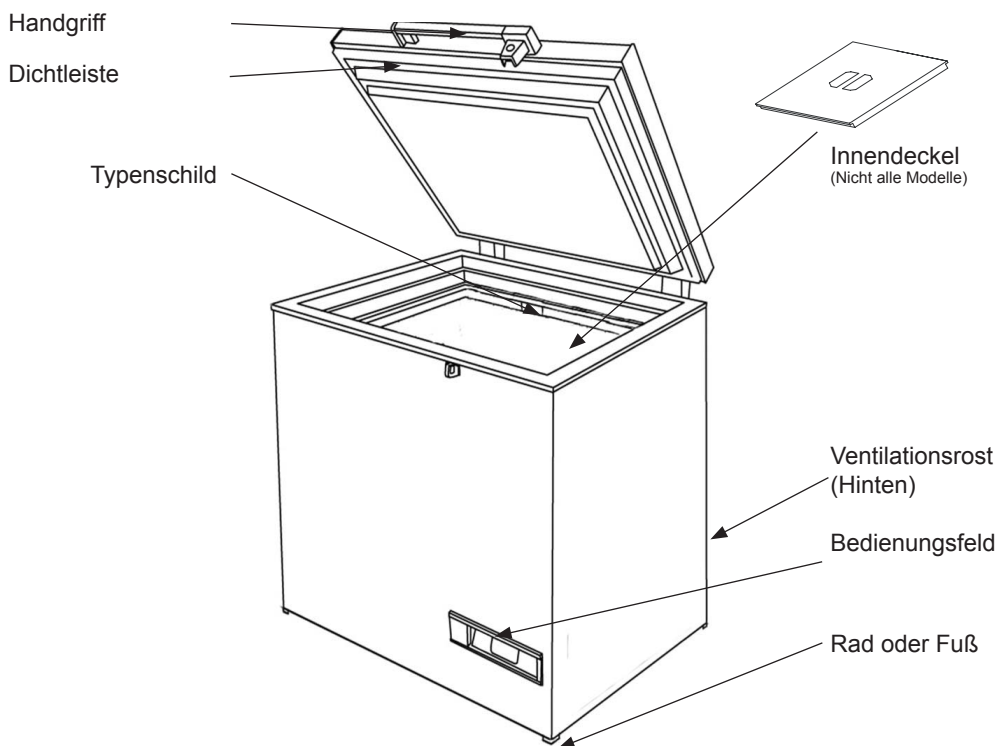


Abb. 1

# Inbetriebnahme und Installation

## Aufstellort

Aus Sicherheits- und betriebstechnischen Gründen darf das Gerät nicht im Freien aufgestellt werden.

Stellen Sie das Gefriergerät auf einen ebenen, waagerechten und festen Untergrund in einem trockenen, gut belüfteten Raum (max. 75% relative Luftfeuchtigkeit).

Stellen Sie die Truhe nicht in unmittelbarer Nähe von Wärmequellen wie Herden oder Heizkörpern auf, und vermeiden Sie direkte Sonneneinstrahlung oder Wärme von anderen Wärmequellen.

## Raumtemperatur

Die Klimaklasse finden Sie auf dem Typenschild (siehe Seite 10). Sie gibt an, innerhalb welcher Raumtemperaturbereiche die Gefriertruhe optimal arbeitet.

SP = -82	SP = -86
+16 °C to +25 °C	+16 °C to +20 °C

## Belüftung

Das Gerät muss ausreichend belüftet sein, und die Luftzirkulation über und unter ihm sowie seitlich von ihm darf nicht behindert sein. Abb. 2 zeigt, wie die erforderliche Luftzirkulation um das Gefriergerät herum gewährleistet wird.

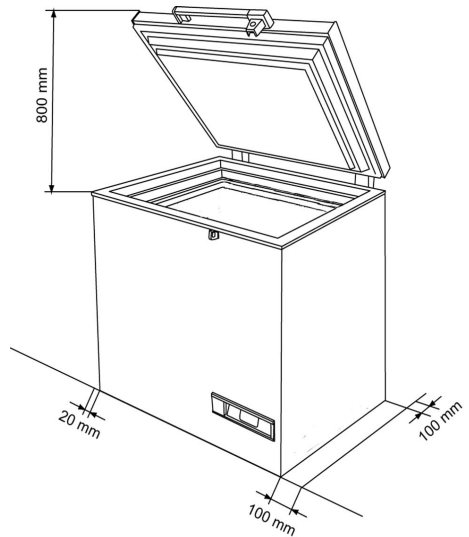


Abb. 2

Zwischen dem Geräteboden und der Unterlage muss der Abstand mindestens 15 mm betragen.

**WICHTIG!** Der Belüftungsrost muss frei zugänglich sein (Abb. 3).

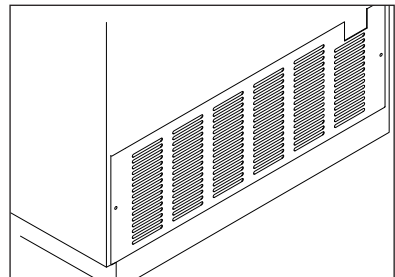


Abb. 3

# Bedienung und Funktion

Das Gerät ist mit einer elektronischen Steuerung ausgerüstet (Abb. 4)

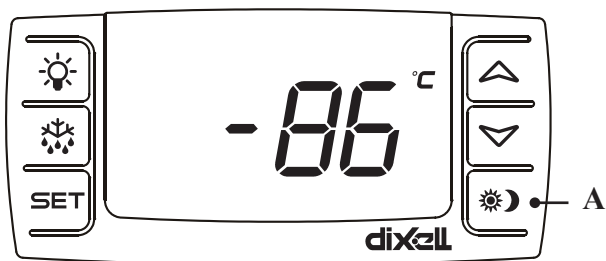


Abb. 4

Für die Bedienung der elektronischen Steuerung verweisen wir auf die separate Bedienungsanleitung im Gerät.

## Weitere Informationen

**Hinweis:** Wenn Sie das Gerät einschalten drücken Sie bitte die Taste „A“, (Abb. 4) damit die Alarmfunktion aktiviert wird.

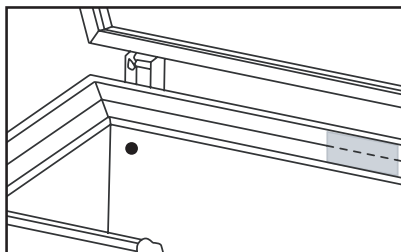
Das Gerät ist mit einer Backup-Batterie ausgestattet. Bei Netzausfall wird automatisch Alarm ausgelöst.

Daher ist die Alarmfunktion bei zeitweiliger Außerbetriebnahme des Geräts unbedingt zu deaktivieren.

Durch Betätigen von „A“ wird die Alarmfunktion deaktiviert (Abb. 4). Am Display wird „OFF“ angezeigt. Danach die Netzversorgung ausschalten.

## Bullauge

Einige Modelle besitzen ein vorgebohrtes Loch an der Rückseite. Die Öffnung ist im Fall von CO<sub>2</sub>-Back-up oder als Kabeldurchführung für einen Sensor nützlich.



Nicht alle Modelle

## Abtauen

Das Gefriergut und die Luftfeuchtigkeit verursachen mit der Zeit Reif und Eis im Innern der Gefriertruhe. Eine dünne Reif- oder Eisschicht setzt die Leistung des Geräts nicht herab, aber mit zunehmender Stärke des Belags erhöht sich der Energieverbrauch. Etwas loser Reif lässt sich mit einem Kunststoffschaber entfernen.

Niemals elektrische Geräte oder scharfe Werkzeuge zum Entfernen von Reif/Eis verwenden, da sie das Truhenninnere beschädigen können.

Erreicht die Reif- oder Eisschicht 4-5 mm Stärke, muss das Gerät abgetaut werden. Wir empfehlen, das Gefriergerät abzutauen, wenn nur wenige Waren darin gelagert sind.

Gehen Sie folgendermaßen vor:

1. Den Netzstecker ziehen.
2. Eine Schüssel mit warmem (nicht kochendem) Wasser in das Gerät stellen und den Deckel schließen. Ca. 30 Minuten warten und die Reifschicht dann mit einem Kunststoffschaber entfernen.
3. Nachdem das Eis getaut ist, das Gefriergerät mit einer schwachen Lösung aus Wasser und unparfümiertem Spülmittel reinigen. Mit einem trockenen Tuch nachwischen.
4. Versorgungsspannung anschließen.
5. Das Lagergut kann wieder ins Gerät gelegt werden, wenn die Temperatur korrekt ist.

# Reinigung und Wartung

## Reinigung

Vor der Reinigung ist der Netzstecker zu ziehen und das lose Zubehör aus dem Gerät zu entfernen.

Eine Mischung aus lauwarmem Wasser und unparfümiertem Spülmittel ist dazu am besten zur Reinigung geeignet. Verwenden Sie keine Reinigungsmittel, die Kratzer verursachen können. Verwenden Sie ein weiches Tuch. Mit klarem Wasser nachwischen und gut abtrocknen. Es darf kein Wasser in die Bedienelemente gelangen.

Die Deckeldichtleiste muss regelmäßig gereinigt werden, um Verfärbungen zu vermeiden und lange Haltbarkeit zu gewährleisten. Klares Wasser verwenden. Nach der Reinigung der Dichtleiste prüfen, ob sie dicht schließt.

Wir empfehlen die Reinigung der Draht- und Röhrenkondensatoren an der Geräterückseite.

Den Lüftungsrost frei von Staub und Schmutz halten. Zur Reinigung des Rosts einen Staubsauger verwenden.

Bei längerer Außerbetriebnahme, den Netzstecker ziehen und die Gefriertruhe ausräumen und reinigen. Den Deckel nicht schließen, um Geruchsbildung zu vermeiden.

Es wird empfohlen, nach jedem Öffnen des Deckels und des Schaumdeckels sowohl den Deckel, den Schaumdeckel als auch den Rahmen für Wasser, Kondenswasser und dergleichen zu reinigen.

## Sparen Sie Energie

- Deckel möglichst geschlossen halten.
- regelmäßig prüfen, dass der Deckel dicht schließt
- die Gefriertruhe in einem kühlen (max. 5 °C), gut belüfteten Raum aufstellen.
- Gefriergerät abtauen, bevor die Eisschicht zu dick wird.

# Fehlersuche

Fehler	Mögliche Ursache	Abhilfe
Es ist kein Licht im Display	Das Gerät ist ausgeschaltet.  Stromausfall; Sicherung hat angesprochen; Netzstecker nicht richtig eingesteckt.	Stecker und Schalter prüfen. Prüfen, ob der Strom angeschlossen ist.  Die Sicherung muss intakt/ eingeschaltet sein.
Die Temperatur im Gefrierraum ist zu hoch.	Der Belüftungsrost ist blockiert.  Der Deckel der Gefriertruhe ist nicht ordnungsgemäß geschlossen.  Es wurde mehr neues Gefriergut in das Gerät gelegt, als gleichzeitig eingefroren werden kann.  Starke Reif- und Eisschicht. Thermostat zu warm eingestellt.  Deckel liegt auf Gefriergut auf.	Für unbehinderte Luftzirkulation sorgen.  Deckel schließen und einige Stunden lang warten.  Einige Stunden warten.  Gefriergerät abtauen. Thermostat auf niedrigere Temperatur einstellen.  Gefriergut umlagern und prüfen, ob der Deckel nun dicht schließt.
Temperatur im Gefriergerät zu niedrig.	Thermostat zu kalt eingestellt.	Thermostat auf höhere Temperatur einstellen.
Gefriergerät setzt schnell Reif an.	Der Raum ist sehr feucht.  Das Gefriergut gibt Feuchtigkeit ab.	Häufig lüften oder Gerät in einem anderen, trockeneren Raum aufstellen.  Gefriergut umpacken.
Deckel lässt sich nicht öffnen.	Unterdruck im Gefriergerät.	2-3 Minuten warten, bis der Unterdruck abgebaut ist, dann erneut versuchen.
Vibrationen und ungewöhnliche Geräusche.	Das Gerät steht nicht auf einer ebenen Unterlage.  Das Gerät steht nicht frei.  Trennwand sind locker.	Gerät auf eine ebene, waagerechte und feste Unterlage stellen.  Gerät von Möbeln oder anderen Geräten abrücken.  Die beweglichen Teile prüfen und wieder einsetzen.

## Reklamation, Ersatzteile und Service

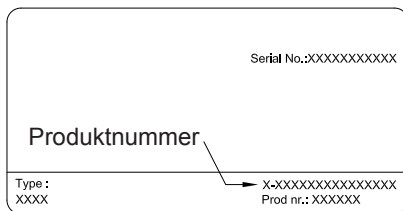
Der Lieferant haftet nicht für Fehler oder Schäden, die direkt oder indirekt durch Fehlbedienung, Missbrauch, mangelhafte Wartung, fehlerhaften Einbau, fehlerhafte Aufstellung oder fehlerhaften Anschluss sowie Feuer, Unfall, Blitzschlag, Spannungsänderungen oder andere elektrische Störungen – wie z.B. defekte Sicherungen oder Fehler in der Netzinstallation – sowie von anderen als den von dem Lieferanten vorgeschriebenen Reparaturbetrieben ausgeführten Reparaturen verursacht wurden, und allgemein nicht für Fehler und Schäden, die der Lieferant nachweislich auf andere Ursachen als Fabrikations- und Materialfehler zurückführen kann. Diese Fehler oder Schäden fallen nicht unter das Reklamationsrecht.

Transportschäden, die der Anwender feststellt, sind primär eine Sache zwischen ihm und dem Händler, d.h. der Händler hat den Anwender zufrieden zu stellen.

Bevor Sie den Kundendienst rufen, prüfen Sie bitte, ob Sie den Fehler selbst beheben können (siehe Fehlersuche). Ist Ihr Hilfeverlangen unberechtigt, beispielsweise weil das Versagen des Geräts auf eine defekte Sicherung oder Fehlbedienung zurück zu führen ist, gehen die Kosten für den Servicebesuch zu Ihren Lasten.

### Ersatzteile

Bitte bei der Ersatzteilbestellung Typ- und Seriennummer sowie Produktnummer angeben. Diese Angaben finden Sie auf dem Typenschild.



Das Typenschild enthält verschiedene technische Angaben, u.a. auch Typ- und Seriennummer. Denken Sie daran! Stets nur autorisierte Handwerker zu beauftragen, wenn ein Teil repariert oder ausgewechselt werden muss!

# Entsorgung

## Benutzerinformation zur Sammlung und Entsorgung von veralteten Geräten und benutzten Batterien.



Diese Symbole auf den Produkten, Verpackungen und/oder Begleitdokumenten bedeuten, dass benutzte elektrische und elektronische Produkte und Batterien nicht in den allgemeinen Hausmüll gegeben werden sollen. Bitte bringen Sie diese alten Produkte und Batterien zur Behandlung, Aufarbeitung bzw. zum Recycling gemäß Ihrer Landesgesetzgebung und den Richtlinien 2012/19/EU und 2006/66/EC zu Ihren zuständigen Sammelpunkten.

Indem Sie diese Produkte und Batterien ordnungsgemäß entsorgen, helfen Sie dabei, wertvolle Ressourcen zu schützen und eventuelle negative Auswirkungen auf die menschliche Gesundheit und die Umwelt zu vermeiden, die anderenfalls durch eine unsachgemäße Abfallbehandlung auftreten können.

Wenn Sie ausführlichere Informationen zur Sammlung und zum Recycling alter Produkte und Batterien wünschen, wenden Sie sich bitte an Ihre örtlichen Verwaltungsbehörden, Ihren Abfallentsorgungsdienstleister oder an die Verkaufseinrichtung, in der Sie die Gegenstände gekauft haben.

Gemäß Landesvorschriften können wegen nicht ordnungsgemäßer Entsorgung dieses Abfalls Strafgebühren verhängt werden.



## Für geschäftliche Nutzer in der Europäischen Union.

Wenn Sie elektrische oder elektronische Geräte entsorgen möchten, wenden Sie sich wegen genauerer Informationen bitte an Ihren Händler oder Lieferanten.

## Informationen zur Entsorgung in Ländern außerhalb der Europäischen Union

Diese Symbole gelten nur innerhalb der Europäischen Union. Bitte treten Sie mit Ihrer Gemeindeverwaltung oder Ihrem Händler in Kontakt, wenn Sie dieses Produkt entsorgen möchten, und fragen Sie nach einer Entsorgungsmöglichkeit.



## Hinweis zum Batteriesymbol

Dieses Symbol kann in Kombination mit einem chemischen symbol verwendet werden. In diesem Fall erfüllt es die Anforderungen derjenigen Richtlinie, die für die betreffende Chemikalie erlassen wurde.





## Avant d'utiliser le réfrigérant

Puisque l'appareil contient un réfrigérant inflammable, il est essentiel de s'assurer que les conduits du fluide réfrigérant ne sont pas endommagés.

**La quantité et le type de réfrigérant utilisée dans votre appareil est indiquée sur la plaque signalétique.**

La norme EN378 précise que la pièce dans laquelle vous installez votre appareil doit posséder un volume de 1 m<sup>3</sup> par 8 g de réfrigérant avec des hydrocarbures utilisés dans l'appareil afin d'éviter la formation de mélanges gaz/air inflammable dans la pièce où l'appareil est installé dans le cas où il y aurait une fuite dans le circuit réfrigérant.

**AVERTISSEMENT:**

Gardez les orifices de ventilation, situés sur la carrosserie de l'appareil ou autour de l'appareil, libres de toute obstruction.

**AVERTISSEMENT:**

Ne pas utiliser d'appareils mécaniques ou autres moyens pour accélérer la décongélation sauf ce qui est recommandé par le fabricant.

**AVERTISSEMENT:**

Ne pas endommager le système de réfrigération.

**AVERTISSEMENT:**

Ne pas utiliser d'appareils électriques à l'intérieur du compartiment de stockage sauf s'ils sont recommandés par le fabricant.

**AVERTISSEMENT:**

Pour des raisons de sécurité et d'exploitation, l'appareil ne doit pas être exposé directement à la pluie et ne doit pas être aspergé lorsque le sol est nettoyé.

**AVERTISSEMENT:**

Cet appareil n'est pas conçu pour une utilisation par de jeunes enfants ou des personnes handicapées sauf si elles sont sous la surveillance d'un adulte responsable. Les enfants ne doivent pas jouer avec l'appareil.

**AVERTISSEMENT:**

Les enfants ne doivent pas jouer avec l'appareil.

**AVERTISSEMENT:**

Le nettoyage et l'entretien effectué par l'utilisateur ne doivent pas être accomplis par des enfants, sauf s'ils sont âgés de

8 ans et plus et qu'un adulte les surveille.

### **AVERTISSEMENT:**

Ne pas entreposer des explosifs, tels que les aérosols avec propulseurs inflammables dans l'appareil.



### **AVERTISSEMENT:**

Danger – risque d'incendie ou d'explosion si réfrigérant inflammable utilisé. L'appareil doit seulement être réparé par un personnel qualifié.

### **AVERTISSEMENT:**

les bords peuvent être coupants au niveau de l'encadrement de l'armoire, du compartiment du compresseur, de l'évaporateur, du couvercle de la ventilation et sur l'équipement interne.

### **AVERTISSEMENT:**

La surface du condensateur situé au dos de l'armoire peut être chaude. Merci de faire attention afin d'éviter toute blessure.

- Si l'appareil est équipé d'une serrure : rangez la clé hors de portée des enfants..

- Avant de faire l'entretien ou le nettoyage de l'appareil, débranchez-le de son alimentation.
- Si le câble d'alimentation est endommagé, il doit être remplacé par le fabricant, des représentants ou des professionnels agréés afin d'éviter les dangers.
- Si le câble d'alimentation est endommagé, il doit être remplacé par le fabricant, des représentants ou des professionnels agréés afin d'éviter les dangers.
- Prenez note que toute modification de l'appareil annulera toutes les garanties et la responsabilité du fabricant.
- Ce dispositif est destiné uniquement à être utilisé pour des produits médicaux
- Si des médicaments sont renversés à l'intérieur de l'armoire, le canal de dégivrage doit être nettoyé immédiatement pour éviter que la substance médicamenteuse s'évapore dans l'air ambiant
- Si vous perdez la notice d'utilisation, merci de contacter votre fournisseur afin d'obtenir une nouvelle notice d'utilisation
- Si vous devez entretenir l'armoire médicale, merci de vous adresser à un service compétent spécialisé dans l'entretien des armoires médicales.

## Sommaire

Avertissement.....	2
Connexion électrique.....	3
Faites connaissance avec votre congélateur coffre .....	5
Mise en service et installation.....	6
Utilisation et fonctionnement .....	7
Dégivrage .....	8
Nettoyage et entretien .....	9
Recherche des pannes éventuelles.....	10
Garantie, pièces de rechange et service après-vente .....	11
Mise au rebut.....	12

## Connexion électrique

Le câblage et les raccordements électriques des systèmes d'alimentation électrique doivent respecter les normes électriques (locales et nationales) en vigueur. Consultez ces normes avant toute installation de l'appareil.

Ce dispositif est conforme aux directives de l'U.E. le concernant, y compris la Directive 2014/35/EU sur la Basse Tension et la Directive 2014/30/EU sur la Compatibilité Electromagnétique.

La prise de courant doit rester facilement accessible. Brancher la fiche mâle de l'appareil dans une prise secteur en 220/240 V / 50Hz réglementairement reliée à la terre. La prise doit être protégée par un fusible/disjoncteur supportant de 10 A - 13 A

Sur les appareils destinés aux pays non européens, vérifiez si la tension de branchement et le type de courant spécifiés sur la plaque signalétique concordent bien avec ceux offerts par le secteur du pays oncerné.

**Les informations concernant la tension et la puissance absorbée / courant sont indiquées sur la plaque signalétique.**

Si un changement de cordon d'alimentation électrique s'impose, cette opération est réservée à un spécialiste.

La plaque signalétique fournit diverses informations techniques ainsi que les numéros de type et de série.

N'utilisez en aucun cas des rallonges de câble.

## Faites connaissance avec votre congélateur coffre

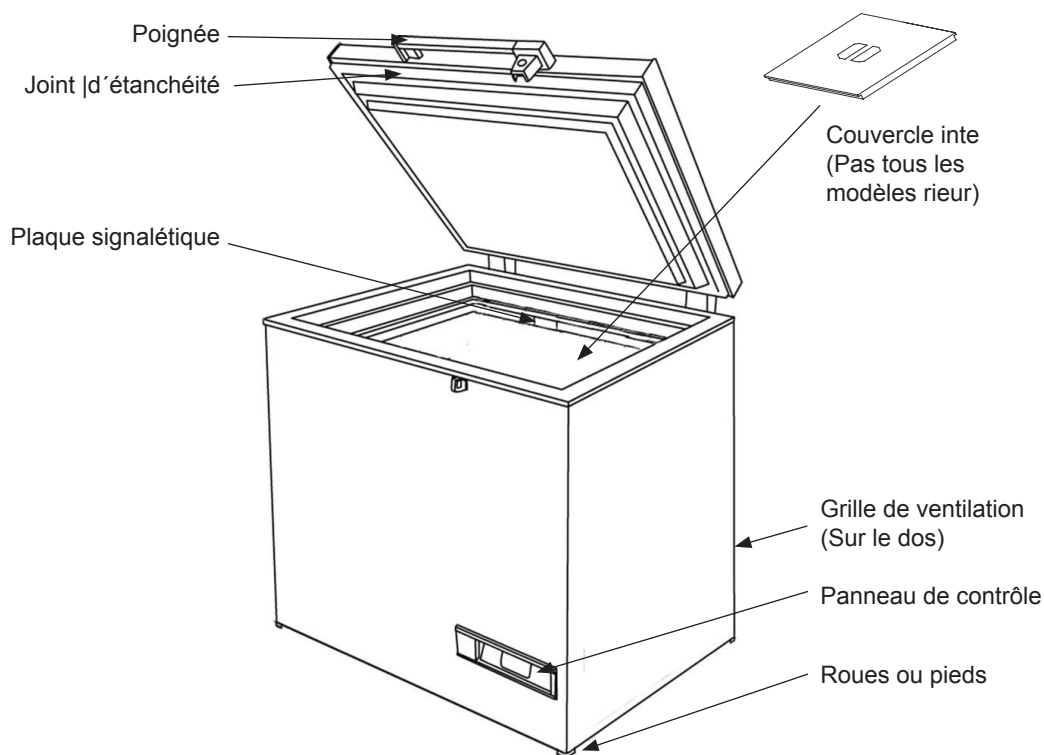


fig. 1

## Mise en service et installation

### Mise en place

Pour des raisons de sécurité et de fonctionnement, l'appareil ne doit pas être placé à l'extérieur.

Placer l'appareil bien à l'horizontale sur un sol plan et stable, dans un local sec et bien ventilé (max. 75% d'humidité relative).

Ne jamais placer l'appareil près de sources de chaleur telles radiateurs, et éviter de le placer au rayonnement direct du soleil ou près d'une autre source de chaleur.

### Température ambiante

La classe climatique est indiquée sur la plaque signalétique (voir page 10). Elle indique dans quelle plage de température ambiante le congélateur fonctionne de façon optimale.

SP = -82	SP = -86
+16 °C to +25 °C	+16 °C to +20 °C

### Ventilation

Il est important que l'appareil soit bien ventilé et que l'air puisse circuler librement au-dessus, en dessous et autour de l'appareil. La figure 2 montre comment assurer la circulation d'air nécessaire autour du congélateur.

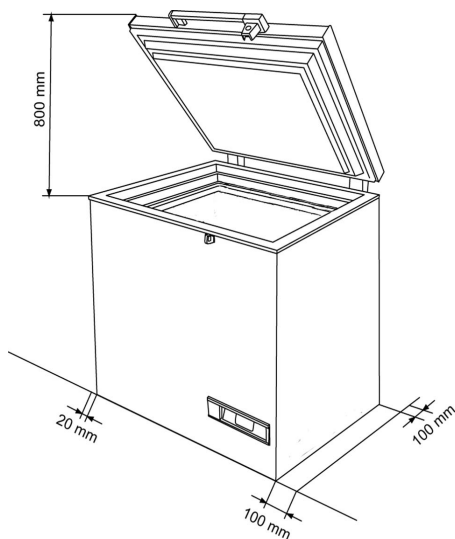


fig. 2

L'espace entre le sol et le dessous de l'appareil doit être de 15 mm.

**IMPORTANT!** Il faut laisser un libre accès à la grille de ventilation (fig. 3).

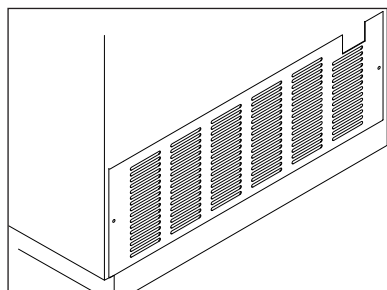


fig. 3

## Utilisation et fonctionnement

L'appareil est équipé d'une commande électronique (fig. 4)

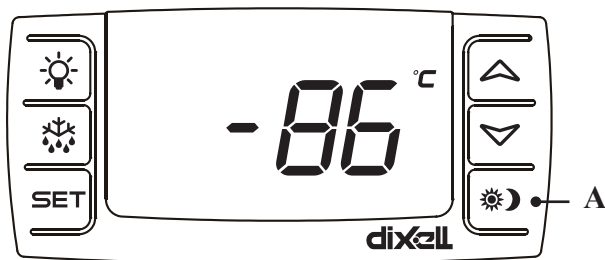


fig. 4

Pour ce qui concerne le maniement de la commande électronique, reportez-vous au monde d'emploi séparé dans l'appareil.

### Informations complémentaires

**NOTE:** La première fois que l'appareil est connecté, appuyez sur le "A" (Fig 4), ainsi l'alarme sera connecté

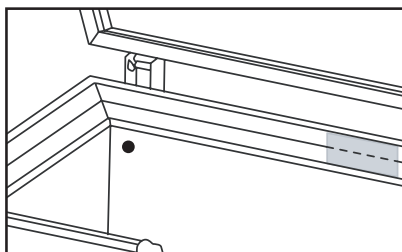
Cet appareil est muni d'un système de secours sur batterie. L'alarme se déclenchera automatiquement lors d'une perte d'alimentation.

Par conséquent, il est important de débrancher l'alarme si l'appareil n'est pas utilisé pendant un certain temps.

Débranchez l'alarme en appuyant sur "A" (fig. 4). L'écran affiche « OFF ». Maintenant, débranchez la source d'alimentation.

### Trou foré

Certains modèles sont munis d'un trou pré-perforé à l'arrière. Cela est utile s'il faut ajouter une réserve CO2 ou un câble de sonde.



Pas sur tous les modèles

## Dégivrage

L'humidité apportée par les produits et par l'air ambiant entraîne au fil du temps la formation de givre et de glace dans l'appareil. Une mince couche de givre ou de glace n'a pas d'influence sur le fonctionnement du congélateur, mais plus la couche devient épaisse, plus la consommation d'énergie augmente. Une mince couche de glace peut être enlevée à l'aide d'un racleur en matière plastique.

**Ne jamais utiliser d'appareil électrique ou d'objet pointu qui risqueraient d'endommager l'intérieur de l'appareil.**

Lorsque la couche de givre ou de glace atteint une épaisseur de 4 à 5 mm, le congélateur doit être dégivré. Il est recommandé de procéder au dégivrage au moment où le congélateur est presque ou complètement vide.

Procéder de la façon suivante :

1. Tirez sur le cordon d'alimentation
2. Placer un récipient d'eau chaude (non bouillante) dans le congélateur, fermer le couvercle et attendre environ 30 minutes, puis enlever le givre avec un grattoir en plastique.
3. Lorsque toute la glace a fondu, nettoyer le congélateur à l'aide de produit à vaisselle sans parfum largement dilué dans l'eau. Essuyer avec un chiffon doux.
5. Faire le nettoyage du congélateur avec de l'eau tiède
6. Raccordement électrique.
7. Replacer les marchandises dans l'appareil lorsque la température a atteint un niveau correct.



# Nettoyage et entretien

## Nettoyage

Avant le nettoyage, débrancher impérativement la prise électrique.

Utiliser de préférence de l'eau tiède additionnée d'un peu de produit à vaisselle sans parfum. Ne jamais utiliser de produits de nettoyage abrasifs. Utiliser un chiffon doux. Rincer à l'eau claire et essuyer à fond. Éviter de faire pénétrer de l'eau dans le panneau de contrôle.

Le joint d'étanchéité du couvercle nécessite un nettoyage régulier afin d'éviter qu'il ne se décolore et pour garantir sa longévité. Utiliser de l'eau claire. Après nettoyage du joint d'étanchéité du couvercle, contrôler qu'il assure toujours son rôle.

La grille de ventilation doit être propre. La nettoyer avec un aspirateur.

En cas d'absence prolongée, débrancher, vider et nettoyer l'appareil et laisser le couvercle ouvert pour éviter la formation de mauvaises odeurs.

Après chaque ouverture de tant du couvercle et le sous-couvercle il est recommandé de nettoyer à la fois le couvercle, le sous-couvercle et le rebord pour l'eau, la condensation et similaires.

## Pour économiser l'énergie

- Laisser autant que possible le couvercle fermée.
- Contrôler régulièrement l'étanchéité du couvercle
- Placer le congélateur dans un endroit frais et bien ventilé.
- Dégivrer avant que la couche de glace ne soit trop épaisse.

## Recherche de pannes éventuelles

Panne	Cause possible	Remède
Il n'y a pas de lumière dans Display.	L'appareil est éteint.  Panne de courant ; fusible grillé ou disjoncteur déclenché ; prise mal enfoncée.	Contrôler la fiche et la prise.  Contrôler l'alimentation électrique. Contrôler le fusible ou le disjoncteur.
La température dans le congélateur est trop élevée.	La grille de ventilation est bloquée.  Le couvercle de l'appareil est mal fermé.  Une quantité trop importante de produits été placée en même temps dans le congélateur.  Trop de givre et de glace. Le thermostat est réglé sur trop chaud.  Le couvercle touche à les éléments de le congélateur	Veiller à la libre circulation de l'air.  Fermer le couvercle et attendre quelques heures.  Attendre quelques heures.  Dégivrer l'appareil. Régler le thermostat sur une température plus basse.  Déplacer les élément et s'assurer que le couvercle ferme bien.
La température dans le congélateur est trop basse.	Le thermostat est réglé sur une température trop froide.  Le couvercle touche des aliments dans le congélateur.	Régler le thermostat sur une température plus haute.  Déplacer les aliments et s'assurer que le couvercle ferme bien.
L'appareil produit beaucoup de givre.	Le local est très humide.  Les aliments dégagent de l'humidité.	Aérer fréquemment ou transporter le congélateur dans un local moins humide.  Revoir l'emballage des aliments.
Le couvercle ne s'ouvre pas.	Sous-pression dans l'appareil.	Attendre 2 ou 3 minutes jusqu'à ce que la sous-pression ait disparu et essayer de nouveau.
Vibrations et bruits insolites.	L'appareil n'est pas posé sur une surface plane.  L'appareil manque d'espace.  Objets en vrac ne sont pas sécurisés	Placer le congélateur sur un sol plan, stable et horizontal.  Dégager le congélateur des meubles et appareils qui le gênent.  Vérifier la stabilité des objets non fixés.

## Garantie, pièces de rechange et service après-vente

Les pannes ou les dommages dûs directement ou indirectement à une utilisation incorrecte ou fautive, un entretien insuffisant, un encastrement, une mise en place ou un raccordement incorrect, un incendie, un accident, un impact de foudre, des variations de tension et tout autre dysfonctionnement électrique dû par exemple à des fusibles ou disjoncteurs défectueux, ou à des défauts du réseau d'alimentation électrique ne sont pas couverts par la garantie. Dans le cas de réparations effectuées par des personnes autres que les réparateurs agréés par le fournisseur, et en termes généraux l'ensemble des pannes et dommages dont le fournisseur peut prouver qu'ils sont dûs à d'autres causes que des erreurs ou défauts de fabrication et de matériaux et qui, par conséquent, ne sont pas couverts par la garantie.

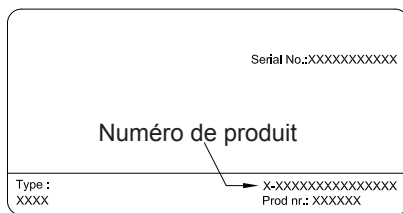
Veuillez noter que lorsqu'une intervention dans la construction ou si une modification des composants de l'appareil a été faite, la garantie et la responsabilité du fournisseur cesse, et l'appareil ne peut pas être utilisé légitimement. L'autorisation figurant sur la plaque signalétique ne sera plus valable.

Les dommages dûs au transport et constatés chez le client sont à régler entre le client et le revendeur, ce qui signifie que ce dernier doit s'assurer de la satisfaction du client.

Avant de faire appel au service après-vente, toujours contrôler les points énumérés dans la liste de recherche des pannes (voir ce point). Dans le cas où la cause de l'intervention demandée ressort de la responsabilité de la personne ayant fait appel au service après-vente, par exemple si la panne de l'appareil est due à un fusible grillé ou à une mauvaise utilisation, c'est cette personne qui devra régler les frais entraînés par cette intervention.

### Pièces de rechange

Lors de la commande de pièces de rechange, indiquer le type, numéro de produit et de production de l'appareil. Ces renseignements se trouvent sur la plaque signalétique au dos de l'appareil. La plaque signalétique renferme plusieurs informations techniques, dont les numéros de type et de série.



**TOUJOURS** faire appel à des services agréés en cas de réparation ou de remplacement !

## Mise au rebut

**Avis aux utilisateurs concernant la collecte et l'élimination des piles et des appareils électriques et électroniques usagés.**



Apposé sur le produit lui-même, sur son emballage, ou figurant dans la documentation qui l'accompagne, ce pictogramme indique que les piles et appareils électriques et électroniques usagés doivent être séparés des ordures ménagères. Afin de permettre le traitement, la valorisation et le recyclage adéquats des piles et des appareils usagés, veuillez les porter à l'un des points de collecte prévus, conformément à la législation nationale en vigueur ainsi qu'aux directives 2012/19/EU et 2006/66/EC.

En éliminant piles et appareils usagés conformément à la réglementation en vigueur, vous contribuez à prévenir le gaspillage de ressources précieuses ainsi qu'à protéger la santé humaine et l'environnement contre les effets potentiellement nocifs d'une manipulation inappropriée des déchets.

Pour de plus amples renseignements sur la collecte et le recyclage des piles et appareils usagés, veuillez vous renseigner auprès de votre mairie, du service municipal d'enlèvement des déchets ou du point de vente où vous avez acheté les articles concernés.

Le non-respect de la réglementation relative à l'élimination des déchets est passible d'une peine d'amende.



**Pour les utilisateurs professionnels au sein de l'Union européenne**

Si vous souhaitez vous défaire de pièces d'équipement électrique ou électronique, veuillez vous renseigner directement auprès de votre détaillant ou de votre fournisseur.

**Information relative à l'élimination des déchets dans les pays extérieurs à l'Union européenne**

Ce pictogramme n'est valide qu'à l'intérieur de l'Union européenne. Pour supprimer ce produit, contactez les autorités locales ou votre revendeur afin de connaître la procédure d'élimination à suivre.



**Note relative au pictogramme à apposer sur les piles**

Le pictogramme représentant une poubelle sur roues barrée d'une croix est conforme à la réglementation. Si ce pictogramme est combiné avec un symbole chimique, il remplit également les exigences posées par la Directive relative au produit chimique concerné.



## Advertencia

Puesto que el aparato contiene un refrigerante inflamable, es esencial asegurarse de que no esté dañada la tubería de refrigeración.

**La cantidad y el tipo de refrigerante usado en su aparato se indica en la placa de datos.**

La Norma EN378 establece que el local en el que Ud. instale su aparato deberá tener un volumen de 1m<sup>3</sup> por 8 g de refrigerante de hidrocarburos usado en los aparatos. El objetivo es evitar la formación de mezclas de aire/gas inflamable en el local donde esté situado el aparato, en caso de un escape en el circuito del refrigerante.

### **ADVERTENCIA:**

Mantenga las aberturas de ventilación de la caja del aparato o de la estructura integrada libres de obstrucciones

### **ADVERTENCIA:**

No utilice dispositivos mecánicos ni otros medios para acelerar el proceso de descongelación que no sean los recomendados por el fabricante

### **ADVERTENCIA:**

No dañe el sistema del refrigerante

### **ADVERTENCIA:**

No utilice aparatos eléctricos dentro del compartimento de almacenamiento de alimentos del aparato, a menos que sean del tipo recomendado por el fabricante

### **ADVERTENCIA:**

No se debe exponer el aparato a la lluvia

### **ADVERTENCIA:**

Consejos y advertencias de seguridad. Este aparato puede ser utilizado por niños a partir de 8 años y por personas con limitaciones físicas, sensoriales o psíquicas, o que carezcan de experiencia y conocimientos, siempre y cuando sea bajo la supervisión de una persona responsable de su seguridad o que le haya instruido en el uso correcto del aparato siendo consciente de los daños que se pudieran ocasionar.

### **ADVERTENCIA:**

No dejar que los niños jueguen

con el aparato

**ADVERTENCIA:**

La limpieza y el mantenimiento rutinario no deben encomendarse a los niños a menos que sean mayores de 8 años y lo hagan bajo supervisión.

**ADVERTENCIA:**

No guarde sustancias explosivas, tales como latas de aerosol con un propelente inflamable en este electrodoméstico.



**ADVERTENCIA:**

Peligro de incendio o explosión si refrigerante inflamable usado. Solo Debe ser reparado por personal capacitado

**ADVERTENCIA:**

al colocar el aparato, asegúrese de que el cable de energía no esté atascado o dañado.

**ADVERTENCIA:**

no ubique las tomas de corriente portátiles o suministros de energía portátiles en la parte trasera del aparato.

- Mantenga siempre las llaves en lugar separado y fuera del alcance de los niños
- Antes de realizar el servicio o limpieza del aparato, desenchúfelo de la corriente o desconecte la fuente de alimentación eléctrica
- Si se ha dañado el cable de alimentación eléctrica, éste deberá ser reemplazado por el fabricante, su técnico de servicio o personal de una formación equivalente, para evitar peligros
- La formación de escarcha sobre la pared del evaporador interno y las partes superiores es un fenómeno natural. Por tanto, debería descongelarse el aparato durante la limpieza o el servicio de mantenimiento normales
- Por favor, tenga en cuenta que los cambios en la construcción del aparato cancelarán todo tipo de garantías y responsabilidad del producto.

## Índice

Advertencia.....	2
Conexión eléctrica.....	3
Conozca su congelador horizontal.....	5
Instalación y puesta en marcha inicial.....	6
Operación y funcionamiento.....	7
Descongelación.....	8
Limpieza y mantenimiento.....	9
Lista de localización de fallos.....	10
Garantía, repuestos y servicio.....	11
Eliminación de electrodomésticos.....	12

## Conexión eléctrica

Este aparato cumple con las directivas UE relevantes, incluso Directiva de Bajo Voltaje 2014/35/EU y Directiva de Compatibilidad Electromagnética 2014/30/EU.

La toma de corriente deberá ser libremente accesible (preferentemente emplazada por encima del armario).

Conectar la unidad a una red eléctrica de corriente alterna de 220–240 V/50 Hz a través de una toma de corriente instalada reglamentariamente y provista de puesta a tierra.

La toma de corriente debe estar protegida con un fusible de 10 A–13 A amperios.

En los aparatos destinados a países fuera del continente europeo deberá verificarse si los valores de la tensión de conexión y el tipo de corriente que figuran en la placa de características del aparato coinciden con los de la red nacional.

**La información sobre voltaje, / corriente se dan en la placa de características.**

Si se ha dañado el cable de alimentación eléctrica, éste deberá ser reemplazado por el fabricante, su técnico de servicio o personal de una formación equivalente, para evitar peligros

La placa de características, situada en el interior del aparato, contiene algunos datos técnicos, además del número de tipo y serie. del número de tipo y serie.



# Conozca su congelador horizontal

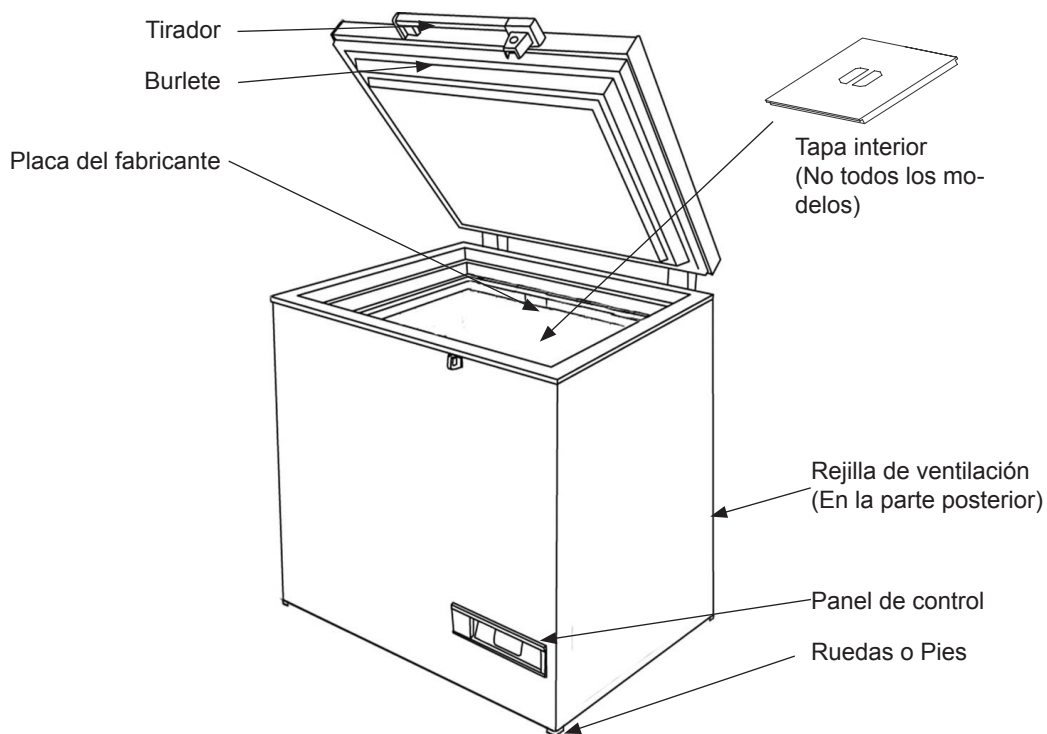


Figura 1

# Instalación y puesta en marcha inicial

## Ubicación

Por motivos de seguridad y funcionamiento, no se debe instalar el aparato en exteriores.

Coloque el congelador sobre una superficie nivelada, horizontal y estable en una habitación seca y bien ventilada (con un máximo de 75% de humedad relativa del aire).

Nunca lo coloque cerca de fuentes de calor tales como estufas o radiadores, y evite colocarlo bajo la luz solar directa.

## Temperatura ambiente

La clase de clima se indica en la placa del fabricante (véase página 10). Este cuadro especifica las temperaturas ambiente óptimas.

SP = -82	SP = -86
+16 °C to +25 °C	+16 °C to +20 °C

## Ventilación

Es importante que el congelador esté bien ventilado y que el aire pueda circular sin obstáculos por arriba, debajo y alrededor del mismo. La figura 2 indica cómo asegurar la circulación necesaria alrededor del congelador.

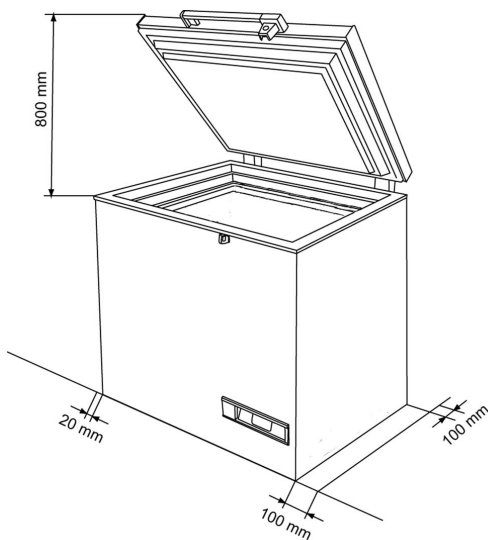


Figura 2

Entre la base del congelador y el suelo debe haber un espacio de 15 mm.

**¡IMPORTANTE!** Debe haber libre acceso a la rejilla de ventilación (fig. 3).

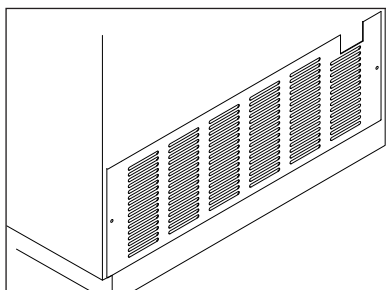


Figura 3

# Operación y funcionamiento

El aparato está equipado con controles electrónicos (figura 4)

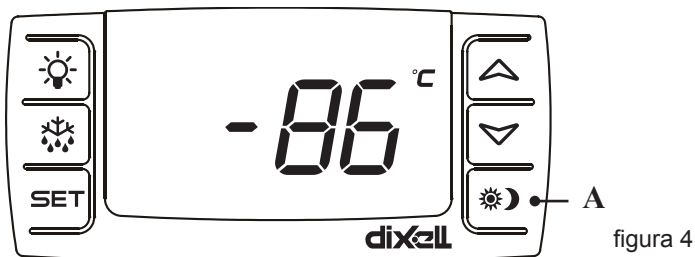


figura 4

Para accionar el control electrónico, consulte el manual de instrucciones separado que se envía en el interior del aparato.

## Información adicional

**NOTA:** Cuando se conecta el poder a primer vez, pulse el botón "A" (figura 4). La alarma está conectada

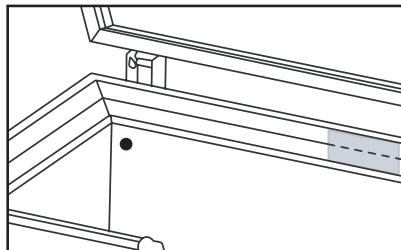
El aparato está equipado con una batería de respaldo. La alarma se activará automáticamente al fallar la alimentación eléctrica.

Por lo tanto, es importante desconectar la alarma si el aparato no se usará durante un período prolongado.

Pulse el botón "A" (fig. 4) para desactivar la alarma. En la pantalla aparece "OFF". A continuación, desconecte la fuente de alimentación eléctrica.

### Portilla

Algunos modelos tienen orificios perforados previamente en la parte posterior. Estos son útiles cuando es necesario utilizar sistemas de respaldo de CO2 o insertar una sonda de sensor.



No está disponible en todos los modelos.

## Descongelación

Los artículos almacenados y la humedad del aire generan gradualmente escarcha y hielo en el congelador. Una capa delgada de escarcha o hielo no afecta al funcionamiento del congelador, pero a medida que aumenta el grosor de la capa, será mayor el consumo energético. Se puede retirar la escarcha suelta con ayuda de un raspador plástico.

**Nunca use aparatos eléctricos o instrumentos afilados ya que con ello se puede dañar el interior del aparato.**

Cuando la capa de escarcha exceda de 4-5 mm de grosor será necesario descongelar el congelador. Se recomienda descongelar el congelador cuando hayan pocos o ningún artículo en el electrodoméstico.

Proceda de la manera siguiente:

1. Saque el enchufe de alimentación
2. Coloque un recipiente de agua caliente (pero no hirviendo) en el congelador, cierre la tapa y espere aprox. 30 minutos, raspando a continuación la capa de escarcha con el raspador de plástico.
3. Cuando se haya derretido todo el hielo, limpie el interior con una solución de agua y detergente sin perfume. Pase un paño blando.
4. Conecte la alimentación eléctrica.
5. Los artículos podrán volverse a colocar en el aparato cuando la temperatura sea la adecuada.

# Limpieza y mantenimiento

## Limpieza

Antes de limpiar el aparato debe extraerse el enchufe y vaciar el interior de todos los accesorios móviles.

El congelador horizontal se limpia de forma óptima con una solución de agua tibia a la que se añade un poco de detergente sin perfume. Nunca use agentes de limpieza abrasivos. Utilice un paño blando. Enjuague con agua limpia y séquelo completamente. Es importante impedir que el agua entre en el panel de control.

Es necesario limpiar regularmente el burlete de la tapa para prevenir la decoloración y para prolongar la vida útil de servicio. Use agua limpia. Después de limpiar el burlete, verifique que continúe proporcionando un sello hermético.

Debe mantenerse la rejilla de ventilación libre de suciedad e impurezas. Debe limpiarse con una aspiradora.

Si va a ausentarse durante algún tiempo, desconecte el aparato y extraiga el enchufe, vacíe y limpie el congelador y deje la tapa abierta para prevenir malos olores.

Después de cada apertura de la tapa o de la tapa de espuma, se recomienda limpiar tanto como la tapa, la tapa de espuma y el marco, de agua, condensación y similares.

## Ahorre energía

- Mantenga cerrada la tapa el mayor tiempo posible.
- Compruebe periódicamente que la tapa cierre herméticamente.
- Instale el congelador en una habitación fresca y bien ventilada.
- Descongele el congelador antes de que la capa de hielo se vuelva demasiado espesa.

## Lista de localización de fallos

Fallo	Causa posible	Solución
No se encienden las luces de Display	El aparato está apagado.  Interrupción de alimentación eléctrica; el fusible está fundido; el electrodoméstico no está enchufado correctamente.	Controle la clavija y el interruptor.  Verifique que esté conectada la alimentación eléctrica. Restablezca el fusible.
La temperatura en el congelador es demasiado alta.	Está bloqueada la rejilla de ventilación.  No se ha cerrado correctamente la tapa del congelador.  La cantidad de artículos colocados de una vez en el congelador es mayor que la capacidad del congelador.  Capa gruesa de escarcha y hielo.  Se ha seleccionado una temperatura demasiado elevada para el termostato.  La tapa hace contacto con los productos en el congelador.	Procure que no se bloquee la circulación del aire.  Cierre la tapa y espere un par de horas.  Espere un par de horas.  Descongele el congelador.  Seleccione un valor más bajo de temperatura para el termostato.  Reorganizar elementos en el congelador
La temperatura en el congelador es demasiado baja.	Se ha seleccionado una temperatura demasiado baja para el termostato.	Cambie la posición de los artículos y compruebe que la tapa cierre correctamente.
El congelador se cubre de escarcha.	La habitación es muy húmeda.  Los artículos emiten humedad.	Airee con frecuencia o traslade el congelador a una habitación menos húmeda.  Envuelva de nuevo los artículos.
La tapa no puede abrirse.	Descenso de presión en el congelador.	Espere 2-3 minutos hasta que desaparezca el descenso de presión y pruebe de nuevo.
Vibración y ruidos molestos.	El aparato no está nivelado.  El aparato hace contacto con otros elementos.  El separador están sueltos.	Coloque el congelador horizontal sobre una base nivelada y estable.  Aléjelo de muebles u otros aparatos.  Inspeccione los accesorios móviles y colóquelos de nuevo.

# Garantía, repuestos y servicio

## Exclusiones de la Garantía

Fallos y daños causados directa o indirectamente por uso erróneo o indebido, mantenimiento insuficiente, integración o instalación erróneos o conexiones eléctricas defectuosas. Incendio, accidente, rayos, variaciones de voltaje u otras interferencias eléctricas, incluidos fusibles defectuosos o fallos en las instalaciones de suministro eléctrico.

La Garantía no cubre reparaciones realizadas por centros de servicio distintos de los autorizados, ni aquellos fallos y daños que el fabricante demuestre que se deben a causas distintas a defectos de fabricación o de materiales.

Por favor, tenga en cuenta que los cambios en la construcción del aparato o en sus componentes cancelarán esta Garantía y la responsabilidad de producto, y no podrá utilizarse el aparato legalmente. También quedará cancelada la autorización concedida en la placa de datos de servicio.

Los daños ocurridos durante el transporte y descubiertos por el comprador son principalmente un asunto a resolver entre el comprador y el distribuidor, es decir, que el distribuidor debe asegurarse de que se resuelvan las quejas a satisfacción del comprador.

Antes de llamar solicitando asistencia técnica, por favor intente resolver el fallo Ud. mismo (vea Localización de Fallos). Si su solicitud de asistencia técnica es injustificada, por ejemplo, si el electrodoméstico ha fallado como resultado de un fusible fundido o por un uso erróneo, deberá abonar los costes incurridos con su llamada de solicitud de asistencia técnica.

## Repuestos

Al hacer pedidos de repuestos, le sugerimos indicar el tipo y los números de serie y de producto del electrodoméstico. Esta información aparece en la placa de identificación del fabricante colocada en la parte trasera del electrodoméstico. La placa del fabricante contiene diversa información técnica, incluido el tipo de aparato y el número de serie.



## Eliminación de electrodomésticos

### **Información para Usuarios sobre la Recolección y Eliminación de aparatos viejos y baterías usadas.**



Estos símbolos en los productos, embalajes y/o documentos adjuntos, significan que los aparatos eléctricos y electrónicos y las baterías no deberían ser mezclados con los desechos domésticos. Para el tratamiento apropiado, la recuperación y el reciclado de aparatos viejos y baterías usadas, por favor, observe las normas de recolección aplicables, de acuerdo a su legislación nacional y a las Directivas 2012/19/EU y 2006/66/EC.

Al desechar estos aparatos y baterías correctamente, Usted estará ayudando a preservar recursos valiosos y a prevenir cualquier potencial efecto negativo sobre la salud de la humanidad y el medio ambiente que, de lo contrario, podría surgir de un manejo inapropiado de los residuos.

Para mayor información sobre la recolección y el reciclado de aparatos y baterías viejos, por favor, contacte a su comunidad local, su servicio de eliminación de residuos o al comercio donde adquirió estos aparatos. Podrán aplicarse penas por la eliminación incorrecta de estos residuos, de acuerdo a la legislación nacional.



### **Para usuarios empresariales en la Unión Europea**

Si usted desea descartar aparatos eléctricos y electrónicos, por favor contacte a su distribuidor o proveedor a fin de obtener mayor información.

### **Información sobre la Eliminación en otros Países fuera de la Unión Europea**

Estos símbolos sólo son válidos dentro de la Unión Europea. Si desea desechar este producto, póngase en contacto con las autoridades locales o con su distribuidor para que le informen sobre el método correcto de eliminación.

### **Nota sobre el símbolo de la batería:**



Este símbolo puede ser usado en combinación con un símbolo químico. En este caso, el mismo cumple con los requerimientos establecidos por la Directiva para los químicos involucrados





## Advarsel

Da kølemidlet, som anvendes i apparatet, er en brændbar gasart, er det vigtigt at sikre, at kølekredsløb og rør ikke er beskadigede.

### **Mængde og type af kølemiddel i apparatet er angivet på typeskiltet.**

Standard EN378 angiver, at rummet hvor apparatet installeres skal have en volumen på 1 m<sup>3</sup> pr. 8 g kulbrinte kølemiddel, der er brugt i apparatet. Dette er for at undgå dannelse af brandfarlige gas-/luftblandinger i rummet, hvis der skulle opstå en utæthed i kølekredsløbet.

### **ADVARSEL:**

Lad ventilationsåbninger, i apparatets kabinet og i eventuelt indbygningsmodul, være utildækkede.

### **ADVARSEL:**

Anvend ikke mekaniske apparater eller andre hjælpemidler til at fremskynde afrimningsprocessen, udover dem som er anbefalet af fabrikanten.

### **ADVARSEL:**

Undgå at beskadige kølemiddel-systemet.

### **ADVARSEL:**

Anvend ikke elektriske apparater inden i apparatet, medmindre de er af en type som er anbefalet af fabrikanten.

### **ADVARSEL:**

Apparatet må ikke udsættes for regn.

### **ADVARSEL:**

Dette apparat kan benyttes af børn fra en alder af 8 år og af personer med reducerede fysiske, sensoriske eller mentale evner eller manglende erfaring eller viden, hvis de er under opsigt af en person, der er ansvarlig for deres sikkerhed, eller hvis de er blevet instrueret i sikker brug af apparatet og har forstået de farer og risici, der kan være forbundet med brugen af apparatet.

### **ADVARSEL:**

Børn må ikke bruge apparatet som legetøj.

**ADVARSEL:**

Rengøring og vedligeholdelse må ikke udføres af børn, med mindre de er over 8 år gamle og er under opsig.

**ADVARSEL:**

Opbevar ikke eksplosive stoffer såsom spraydåser med en brændbar drivgas i dette apparat.

**ADVARSEL:**

Fare og risiko for brand eller eksplosion, da kølemidlet er brændbart. Apparatet må kun repareres af uddannet personale.

**ADVARSEL:**

Når apparatet sættes i positionering, sørg for at netledningen ikke er fastklemmt eller beskadiget.

**ADVARSEL:**

Placer ikke forbindelsesbokse, forlængerledninger eller andre strømforsyninger på bagsiden af enheden.

- Opbevar altid nøgler et separat sted utilgængeligt for børn.
- Træk stikket ud af stikkontakten før reparation eller rengøring af apparatet.
- Hvis netledningen er beskadiget, skal den udskiftes af producenten, producentens serviceagent eller anden fagmand for at undgå fare.
- Dannelse af rim på den indvendige fordamperplade og de øverste dele er normalt. Apparatet skal derfor afrimes i forbindelse med almindelig rengøring eller vedligeholdelse.
- Vær opmærksom på at ændringer i apparatets konstruktion vil medføre, at al garanti og produktansvar bortfalder.

## Indholdsfortegnelse

Advarsel .....	2
Elektrisk tilslutning .....	3
Lær fryseboksen at kende .....	5
Ibrugtagning og installation.....	6
Betjening og funktion .....	7
Afrimning .....	8
Rengøring og vedligeholdelse .....	9
Fejlfindingsliste .....	10
Reklamation, reservedele og service .....	11
Bortskaffelse.....	12

## Elektrisk tilslutning

Ledninger og forbindelser til strømforsyningssystemer skal være i overensstemmelse med gældende lokale og nationale standarder og love.

Denne enhed overholder de relevante EU-direktiver, herunder Lavspændingsdirektivet 2014/35/EU og EMC-direktiv 2014/30/EU

Stikket skal være frit tilgængelig.

Tilslut kun apparatet til 220/240 V / 50Hz vekselstrøm via en korrekt installeret stikkontakt med jordforbindelse.

Stikkontakten skal være sikret med en 10 A -13 A sikring.

Hvis apparatet skal betjenes i et ikke-europæisk land, tjek på typeskiltet, om anført spænding og strøm svarer til værdierne i din netspænding.

**Oplysninger om spænding og effekt / strøm er angivet på typeskiltet.**

Netledningen må kun udskiftes af en autoriseret.

Typeskiltet indeholder forskellige tekniske oplysninger, samt type og serienummer.

# Lær fryseboksen at kende

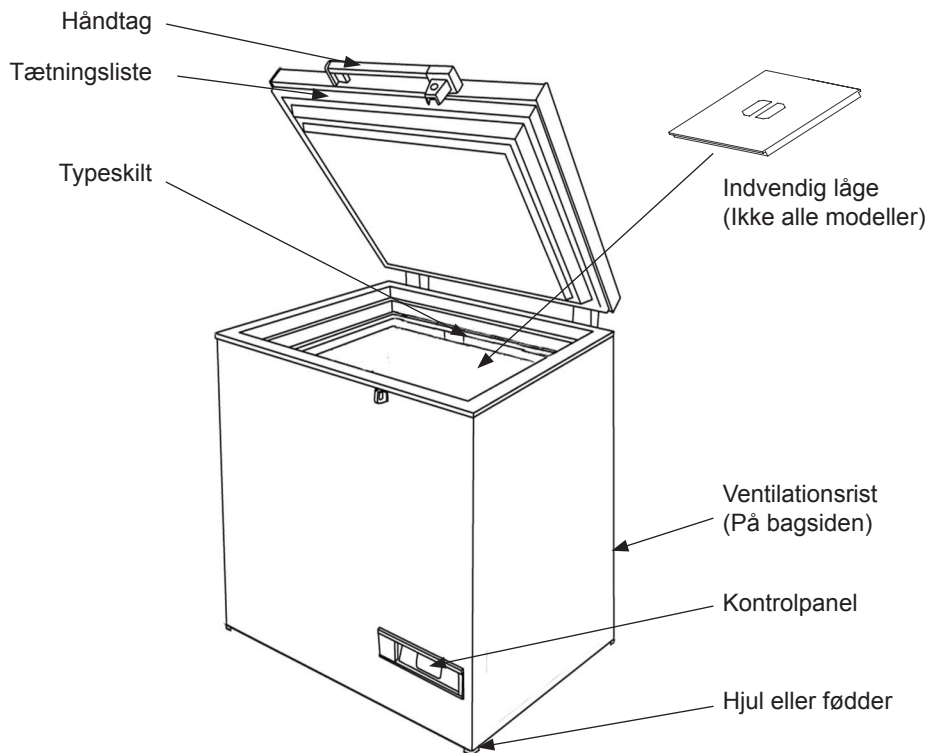


fig. 1

# Ibrugtagning og installation

## Placering

Af sikkerhedsmæssige og driftsmæssige grunde må apparatet ikke placeres udendørs.

Stil fryseboksen på et plant, vandret og stabilt underlag i et tørt og godt ventileret rum (max. 75% relativ luftfugtighed).

Undgå at udsætte fryseboksen for direkte sollys eller varme fra anden varmekilde eks. radiator.

## Rumtemperaturen

Klimaklassen står på typeskiltet (se side 10). Den angiver indenfor hvilke rumtemperaturer fryseboksen kører optimalt.

SP = -82	SP = -86
+16 °C to +25 °C	+16 °C to +20 °C

## Ventilation

Det er vigtigt, at apparatet får tilstrækkelig ventilation og at der er uhindret luftcirkulation over, under og omkring det. Figur 2 viser, hvordan du sikrer den nødvendige cirkulation omkring fryseren.

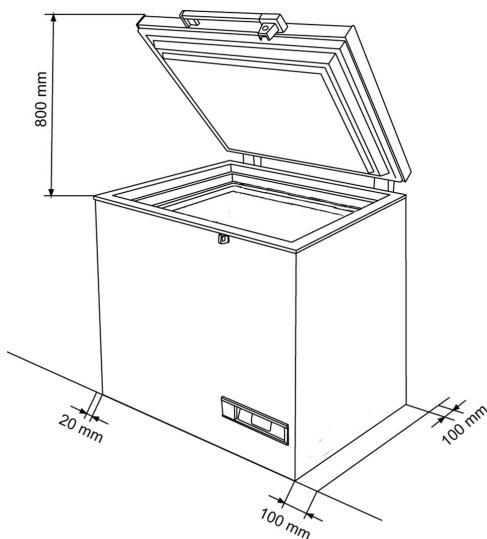


fig. 2

Mellem fryserens bund og gulvet skal der være et mellemrum på 15 mm.

**VIGTIGT!** Der skal være fri adgang til ventilationsristen (fig. 3).

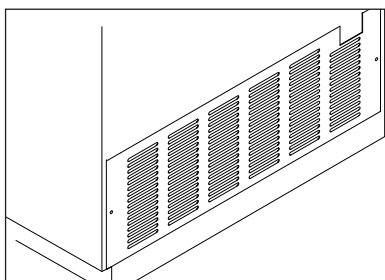


fig. 3

# Betjening og funktion

Apparatet er udstyret med en elektronisk styring (fig. 4)

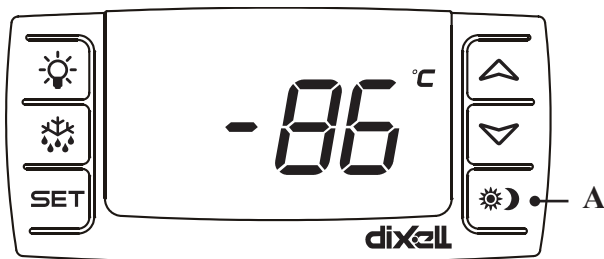


fig. 4

For betjening af den elektroniske styring henvises til separat brugsvejledning vedlagt inde i apparatet.

## Yderligere oplysninger

**OBS:** Når strømmen tilsluttes første gang, skal der trykkes på knappen "A" (fig. 4), derved tilkobles alarmer.

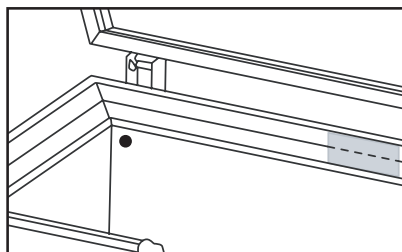
Alarmer vil automatisk slukke ved strømsvigt.

Derfor er det vigtigt at afbryde alarmer, hvis apparatet ikke skal anvendes i en periode.

Afbryd alarmer ved at trykke på "A" (fig. 4), og displayet viser "OFF", og derefter frakobles strømforsyningen.

### Port hole

Nogle modeller har et forboret hul på bagsiden. Den anvendes i tilfælde af CO2 back up eller hvis der kræves indførelse af en sensor.



Ikke alle modeller

## Afrimning

Varerne og fugtigheden i luften forårsager efterhånden rim- og isdannelse i fryseboksen. Et tyndt lag rim eller is nedsætter ikke fryserens funktion, men jo tykkere belægningen er, desto højere bliver energiforbruget. Lidt løst rim kan skrubes af med en plastikskraber.

**Brug aldrig elektriske apparater eller skarpe genstande, da det kan beskadige de indvendige dele i apparatet.**

Når rim- og isdannelsen er 4-5 mm tyk skal fryseren afrimes. Det anbefales at afrime fryseren, når der er få eller ingen varer i fryseren.

Gå frem på følgende måde:

1. Træk elstikket ud.
2. Sæt en skål med varmt vand (ikke kogende) i fryseren, luk låget og vent ca. 30 minutter, hvorefter rimlaget fjernes med en plastikskraber.
3. Når isen er smeltet, gøres fryseren ren med en svag opløsning af vand og uparfumeret opvaskemiddel. Tør af med en blød klud.
4. Tilslut strømmen.
5. Varerne kan lægges ind i apparatet igen når temperaturen er korrekt.



# Rengøring og vedligeholdelse

## Rengøring

Inden rengøring skal strømmen afbrydes ved at tage stikket ud af stikkontakten. Alle varer og løse dele skal fjernes.

Fryseboksen rengøres bedst med en opløsning af lunkent vand tilsat lidt uparfumeret opvaskemiddel. Anvend ikke rengøringsmidler der kan ridse. Brug en blød klud. Vask efter med rent vand og tør grundigt af. Undgå at der kommer vand ind i betjeningspanelet.

Tætningslisten rundt ved låget kræver jævnlig rengøring for at undgå misfarvning og sikre lang holdbarhed. Brug rent vand. Efter rengøring af lågets tætningsliste bør du kontrollere om den fortsat slutter tæt.

Ventillationsristen skal holdes fri for snavs og skidt. Rengøres med støvsuger.

Hvis fryseboksen ikke skal benyttes i længere tid, afbrydes strømmen, den tømmes og rengøres. Lad låget stå åbent for at undgå lugtgener. Husk at afbryde alarmer (se side 7) inden strømmen frakobles.

”Efter hver åbning af apparatets låg såvel som skumlåg anbefales det at rengøre både låget, skumlåget og karmen for vand, kondens og lignende.”

## Spar energi

- hold låget lukket så meget som muligt.
- jævnligt kontrollér at låget lukker tæt
- installer fryseren i et køligt og godt ventileret rum
- afrim fryseren inden islaget bliver for tykt, jf. information om afrimning.

## Fejlfindingsliste

Fejl	Mulig årsag	Afhjælpning
Der er ikke lys i displayet.	Apparatet er slukket.  Strømsvigt; sikringen er slået fra; netstikket er ikke sat rigtigt i.	Kontrollér stik og kontakt.  Kontrollér om strømmen er tilsluttet. Sikringen skal være slået til.
Temperaturen i fryserummet er for høj.	Ventilationsristen er blokeret.  Fryserens låg er ikke lukket rigtigt.  Der er anbragt mere i fryseren på én gang, end den har kapacitet til.  Kraftig rim og islag.  Termostat er indstillet for varmt.  Låget støder mod varer i fryseren.	Sørg for at der er uhindret luftcirkulation.  Luk låget og vent et par timer.  Vent et par timer.  Afrim fryseren.  Indstil termostat til koldere position.  Flyt rundt på varerne og kontrollér at låget kan lukke rigtigt.
Temperaturen i fryseren er for lav.	Termostaten er indstillet for koldt.	Indstil termostat til varmere position.
Fryseren rimer kraftigt.	Rummet er meget fugtigt.  Fugtafgivelse fra varerne.  Låget og/eller tætningsliste lukker ikke korrekt.	Luft hyppigt ud eller flyt fryseren til et rum med mindre fugt.  Ompak varerne.  Tjek låg og tætningsliste for fejl.
Låget kan ikke åbnes.	Undertryk i fryseren.	Vent 2-3 minutter indtil undertrykket er forsvundet og prøv igen.
Vibrationer og ualmindelig støj.	Apparatet står ikke på en plan flade.  Apparatet er ikke fritstående.  Indvendig udstyr står løst	Placer fryseboksen på et plant vandret og stabilt underlag.  Flyt apparatet væk fra møbler eller andre apparater.  Kontrollér de flytbar dele og isæt dem igen.

# Reklamation, reservedele og service

## Reklamationsretten

Såfremt der konstateres fejl ved produktet, kan De over for leverandøren gøre brug af reklamationsretten ifølge gældende lovgivning. Producenten skal for egen regning afhjælpe fabrikations- og materialefejl, der konstateres ved apparatets normale brug under forudsætning af, at apparatet er købt som fabriksnyt i Danmark. For Grønland og Færøerne gælder særlige bestemmelser.

Såfremt det skønnes nødvendigt at apparatet indsendes til værksted, sker indsendelse og returnering for producentens regning og risiko.

Der er ikke dækning for fejl eller skader direkte eller indirekte opstået ved fejlbetjening, misbrug, mangelfuld vedligeholdelse, forkert indbygning, opstilling eller tilslutning. Det samme gælder for brand, ulykke, lynnedslag, spændingsvariationer eller andre elektriske forstyrrelser som f.eks. defekte sikringer eller fejl i forsyningsnettets elektriske installationer.

Reparationer udført af andre end de anviste reparatører, og i det hele taget fejl og skader, som leverandøren kan godtgøre skyldes andre årsager end fabrikations- og materialefejl, er ikke omfattet af reklamationsretten.

Vær opmærksom på, at ved indgreb i apparatets opbygning, og ved ændring af apparatets komponentbestykning bortfalder garanti og produktansvar og apparatet kan ikke lovligt anvendes. Godkendelse anført på mærkeskilt er ligeledes ugyldig.

Transportskader, der konstateres hos forbrugeren, er primært en sag mellem forbruger og forhandler, dvs. forhandler må drage

omsorg for, at forbrugeren stilles tilfreds, inden du tilkalder serviceassistance, bedes du kontrollere de fejlmuligheder, du selv kan afhjælpe. (Se brugsanvisningen)

Såfremt dit krav om afhjælpning er uberegtiget, eksempelvis hvis apparatets svigt skyldes en sprunget sikring eller en fejlbetjening, må du selv betale de omkostninger, der er forbundet med at have tilkaldt serviceassistance.

## Reservedele

Angiv venligst type- og serienummer samt produkt nummer, når du bestiller reservedele.

Disse oplysninger finder du på typeskiltet. Typeskiltet indeholder forskellige tekniske oplysninger, samt type- og serienummer. Husk altid at bruge autoriserede håndværkere, hvis der er noget der skal repareres eller udskiftes!

The diagram shows a rectangular label with the following fields and labels:

- Serial No.:** XXXXXXXXXXXX
- Produkt nr.:** (indicated by a line pointing to the right)
- Type:** XXXX
- Prod nr.:** XXXXXX

The label also contains a sequence of characters: X-XXXXXXXXXXXXXXXXX.

## Bortskaffelse

### *Brugerinformation om indsamling og bortskaffelse af elektriskrot og brugte batterier*



Disse symboler på produkter, emballage og/eller ledsagedokumenter betyder, at brugte elektriske og elektroniske produkter og batterier ikke må smides ud som almindeligt husholdningsaffald. Sådanne gamle produkter og batterier skal indleveres til behandling, genvinding resp. recycling i henhold til gældende nationale bestemmelser samt direktiverne 2012/19/EU og 2006/66/EC.

Ved at bortskaffe sådanne produkter og batterier på korrekt vis hjælper du med til at beskytte værdifulde ressourcer og imødegå de negative påvirkninger af det menneskelige helbred og miljøet, som vil kunne være følgen af usagkyndig affaldsbehandling.

Ønsker du mere udførlig information om indsamling og recycling af gamle produkter og batterier, kan du henvende dig til din kommune, deponeringselskabet eller stedet, hvor du har købt produkterne.

Usagkyndig bortskaffelse af elektriskrot og batterier kan eventuelt udløse bødeforlæg.



### **For kommercielle brugere i Den Europæiske Union**

Når du ønsker at kassere elektriske eller elektroniske apparater, bedes du henvende dig til din forhandler eller leverandør for nærmere information.

### **Information om bortskaffelse i lande uden for Den Europæiske Union**

Disse symboler gælder kun inden for Den Europæiske Union. Hvis du ønsker at afhænde dette produkt, skal du rette henvendelse til de lokale myndigheder eller din forhandler. Her kan du få oplysninger om, hvordan du bedst kommer af med produktet.

### **Information om batterisymbol**



Dette symbol kan optræde sammen med et kemisk symbol. I så fald opfylder det kravene for det direktiv, som er blevet fastlagt for det pågældende kemikalie.



## Меры предосторожности

Поскольку данное изделие содержит горючий хладагент, важно не допускать повреждения трубопроводов хладагента.

**Количество хладагента и тип, используемого в вашем изделии, указано на табличке с паспортными данными.**

Стандартом EN378 регламентируется, что помещение, в котором вы устанавливаете изделие, должно иметь объем 1 м<sup>3</sup> на 8 г углеводородного хладагента, используемого в устройстве. Это требование имеет своей целью избежать образования горючей газо-воздушной смеси в помещении, где находится изделие, в случае нарушения герметичности контура хладагента.

### **ОСТОРОЖНО:**

Следите за тем, чтобы вентиляционные отверстия в шкафу изделия или встроенной конструкции оставались открытыми.

### **ОСТОРОЖНО:**

Для ускорения процесса размораживания не разрешается использовать никаких механических

предметов или других средств, кроме рекомендованных изготовителем.

### **ОСТОРОЖНО:**

Оберегайте контур хладагента от повреждений.

### **ОСТОРОЖНО:**

Не используйте электрические приборы внутри охлаждаемого отсека хранения, исключая устройства рекомендованного изготовителем типа.

### **ОСТОРОЖНО:**

Не оставляйте изделие под дождем.

### **ОСТОРОЖНО:**

Дети до 8 лет, лица с ограниченными физическими, умственными и психическими возможностями, а также лица, не обладающие достаточными знаниями о приборе, могут использовать прибор только под присмотром лиц, ответственных за их безопасность, или после подробного инструктажа и осознания всех опасностей, связанных с эксплуатацией прибора.

### **ОСТОРОЖНО:**

Детям не разрешается играть с прибором.

**ОСТОРОЖНО:**

Очистка и обслуживание прибора не должны производиться детьми, это допустимо, только если они старше 8 лет и их контролируют взрослые.

**ОСТОРОЖНО:**

Оберегайте контур хладагента от повреждений.

**ОСТОРОЖНО:**

Не храните взрывоопасные вещества, такие как аэрозольные баллоны с горючей топливом в этом приборе.



**ОСТОРОЖНО:**

Есть опасность пожара или взрыва легко воспламеняющихся хладагента используется. Должен только быть отремонтированы специально обученным персоналом.

**ОСТОРОЖНО:**

При установке аппарата убедитесь, что шнур питания не заземлен или не поврежден.

**ОСТОРОЖНО:**

Не размещайте блок переносных розеток или переносные источники питания на задней панели устройства.

- Храните ключи в отдельном месте, недоступном для детей
- Прежде чем приступать к техническому обслуживанию или мойке изделия, выньте вилку шнура питания изделия из сетевой розетки или отключите источник электропитания
- В случае повреждения шнура питания изготовитель, его сервисный агент или иные квалифицированные лица должны заменить его во избежание опасности
- Образование инея на внутренней стенке испарителя и верхних частях является нормальным явлением. Поэтому размораживание изделия следует осуществлять во время обычной мойки или технического обслуживания
- Указания по замене перегоревших ламп должны быть включены в инструкцию
- Следует иметь в виду, что внесение изменений в конструкцию изделия приводит к полному аннулированию гарантии и обязательств производителя.

## Содержание

Меры предосторожности.....	2
Электрическое подключение .....	3
Общий вид морозильного ларя .....	5
Установка и ввод в эксплуатацию .....	6
Настройка и режимы работы .....	7
Размораживание .....	8
Мойка и уход .....	8
Поиск и устранение неисправностей .....	10
Гарантия, запасные части и сервис.....	11
Утилизация.....	11

## Электрическое подключение

Настоящее устройство отвечает требованиям соответствующих директив ЕС, включая Директиву по низковольтным устройствам 2014/35/EU и Директиву по электромагнитной совместимости 2014/30/EU

Электрическое подключение всегда должно быть сделано в соответствии с местными правилами.

Прибор должен быть подключен к 220-240V 50 Гц переменного тока через правильно установленную заземленной розетке. Розетка должна быть слиты с 10A - 13A предохранителя.

Если прибор должен работать в неевропейской страной, проверить на табличке, соответствует ли напряжение питания и переменного тока типа с указанием вашего питания.

### **Информация о напряжении, ток или мощность приведены на табличке**

Данные отношении напряжения и потребляемой мощности / тока приведены на табличке.



# Общий вид морозильного ларя

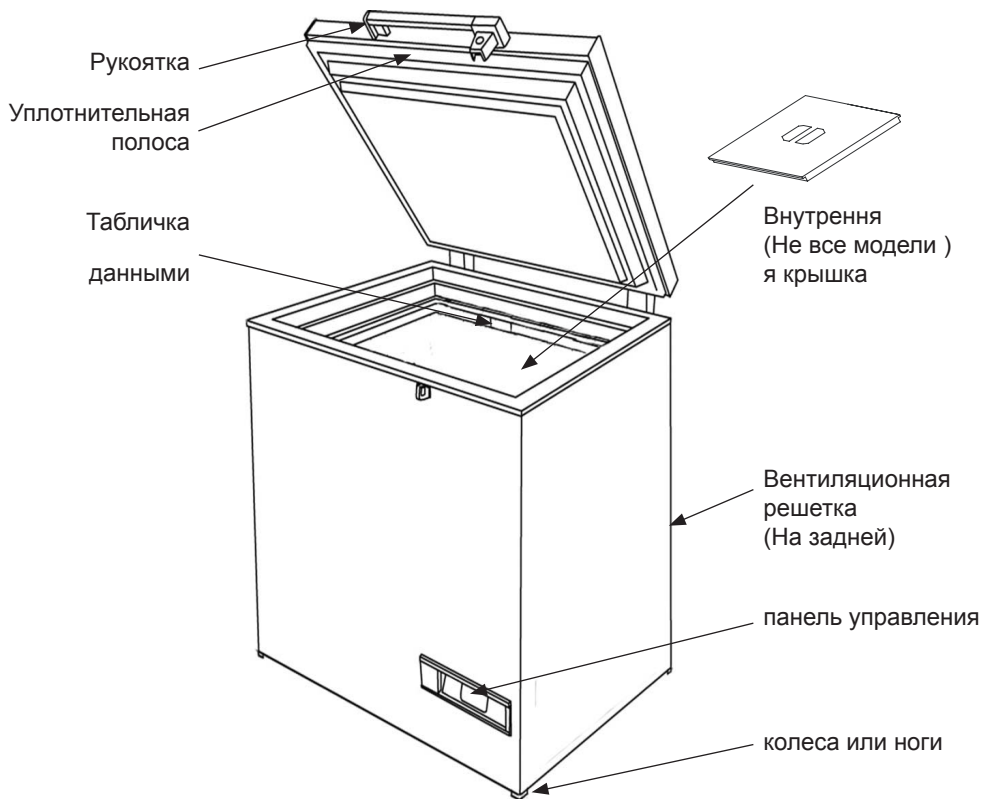


рис. 1

## Установка и ввод в эксплуатацию

### Размещение

Исходя из соображений безопасности и правил эксплуатации, устанавливать изделие на открытом воздухе запрещается.

Для размещения изделия следует выбрать место с твердой, горизонтальной поверхностью в сухом, хорошо проветриваемом помещении (макс. влажность воздуха 75 %).

На изделие не должны падать прямые лучи солнечного света, его нельзя также располагать вблизи источников тепла, например, вблизи кухонных плит, отопительных батарей и т.д.

### Температура в помещении

Климатический класс указан на табличке с паспортными данными (см. стр. 10). Он регламентирует оптимальную температуру в помещении.

SP = -82	SP = -86
+16 °C to +25 °C	+16 °C to +20 °C

### Вентиляция

Важно обеспечить хорошую вентиляцию изделия и возможность беспрепятственной циркуляции воздуха над ним, под ним и вокруг него. На рис. 2 показано, как можно обеспечить необходимую циркуляцию воздуха.

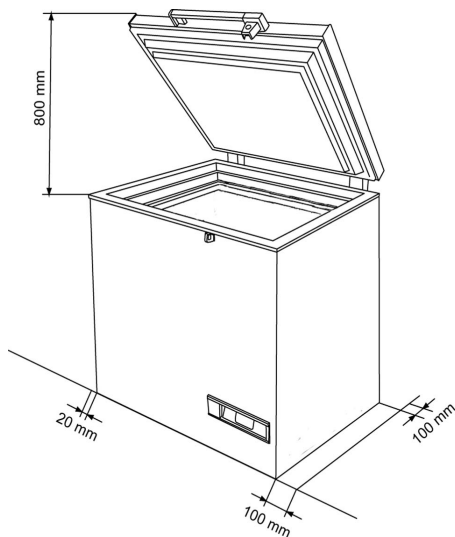


рис. 2

Между дном изделия и полом должен быть зазор не менее 15 мм.

**ВНИМАНИЕ!** Необходимо обеспечить свободный доступ к вентиляционной решетке (рис. 3).

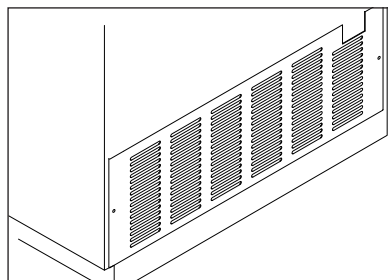


рис. 3

# Настройка и режимы работы

Изделие оборудовано электронной системой управления (рис. 4)

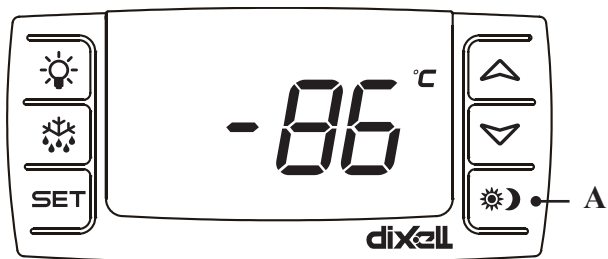


рис. 4

Для операции электронного контроля, ссылка сделана к отдельной инструкции, приложенной в приборе.

## Дополнительная информация

**ПРИМЕЧАНИЕ:** В первый раз питания подключен, нажмите "А" (Рис.4), тем самым сигнал будет подключен

Не забудьте снова отключить тревогу перед отключении питания

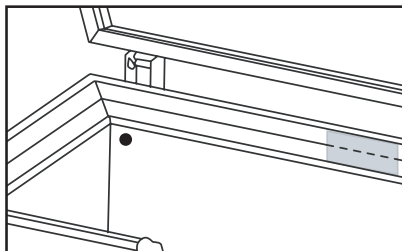
Прибор оснащен резервным электропитанием от батареи. Аварийная сигнализация автоматически отключается при отказе источника электропитания.

Следовательно, важно отключить аварийную сигнализацию в том случае, если прибор не используется в течение некоторого периода времени.

## иллюминатор

У некоторых моделей имеется предварительно просверленное отверстие с задней стороны. Полезно в случае скопления CO2 или, при необходимости, ввода проволочного датчика.

Не для всех моделей.



Не для всех моделей.

## Размораживание

Иней образуется в результате контакта воздуха, содержащего влагу, с холодными поверхностями морозильного ларя. Тонкий слой инея или льда не нарушает работу морозильного ларя, но по мере утолщения слоя льда увеличивается потребление энергии. Тонкий слой инея можно удалять с помощью пластмассового скребка.

**Никогда не используйте для удаления инея электроприборы или острые предметы, поскольку они могут повредить внутренние детали ларя.**

Когда толщина слоя инея или льда достигнет 4-5 мм, морозильный ларь следует разморозить. Размораживать ларь следует, когда в нем мало или совсем нет продуктов.

Проделайте следующее:

1. Вытяните вилку
2. Поставьте в ларь миску с горячей (но не кипящей) водой и на 30 мин закройте крышку ларя, после чего удалите иней с помощью пластмассового скребка.
3. Когда лед растает, помойте ларь слабым водяным раствором моющего средства без запаха. Вытрите ларь насухо мягкой тканью.
4. Подключите электропитание.
5. Когда температура достигнет нужного уровня, продукты можно вновь поместить в ларь.

# Мойка и уход

## Мойка

Перед началом мойки отключите электропитание и удалите из ларя все извлекаемые принадлежности.

Мойку ларя лучше всего осуществлять теплой водой (макс. 65 °С) с небольшим количеством слабого моющего средства. Никогда не применяйте чистящие средства для удаления отложений. Используйте мягкую ткань. Выполните промывку чистой водой и тщательную сушку. Важно не допустить попадания воды на панель управления.

Уплотнительную полосу по периметру крышки следует регулярно очищать для того, чтобы избежать ее обесцвечивания и продлить срок службы. Используйте чистую воду. После очистки уплотнительной полосы убедитесь в том, что она по-прежнему обеспечивает герметичное закрытие ларя.

Следите за тем, чтобы на вентиляционной решетке не скапливалась пыль и грязь. Для очистки используйте пылесос.

В случае вывода изделия из эксплуатации на какой-то период времени выключите его, отсоедините от сети питания, извлеките все содержимое, выполните мойку и оставьте крышку открытой для циркуляции воздуха и предотвращения появления запахов.

«После каждого открытия крышки и крышки из пенопласта рекомендуется очищать крышку, пенопласт и раму от воды, конденсата и тому подобного».

## Экономия энергии

- Держите крышку закрытой всегда, когда это возможно.
- Регулярно проверяйте герметичность прилегания крышки.
- Разместите морозильный ларь в холодном помещении с хорошей вентиляцией.
- Размораживайте морозильный ларь до того, как слой льда станет излишне толстым.

## Поиск и устранение неисправностей

Неисправность	Возможная причина	Способ устранения
Там нет света в дисплее	Изделие выключено.  Нарушение электропитания; перегорел плавкий предохранитель; вилка шнура питания неправильно вставлена в розетку	Проверьте вилку и розетку.  Убедитесь в наличии питания. Замените предохранитель.
Температура в морозильном ларе завышена.	Засорена вентиляционная решетка.  Крышка не закрыта надлежащим образом.  Количество свежих продуктов, помещенных в морозильный ларь, превышает его производительность.  Толстый слой инея и льда. Термостат настроен на слишком высокую температуру.  Крышка касается продуктов в морозильном ларе.	Обеспечьте нормальную циркуляцию воздуха.  Закройте крышку и подождите несколько часов. Подождать несколько часов.  Разморозьте морозильный ларь.  Настройте термостат на более низкую температуру.  Переложите продукты в морозильном ларе и убедитесь в том, что крышка закрывается герметично.
Температура в морозильном ларе слишком низкая.	Термостат настроен на слишком низкую температуру.	Настройте термостат на более высокую температуру.
Количество инея в морозильном ларе слишком велико.	Высокая влажность воздуха в помещении.  Продукты, помещенные в морозильный ларь, выделяют влагу.	Чаще проветривайте помещение или переставьте морозильный ларь в помещение с более низкой влажностью.  Заново упаковать продукты в морозильном ларе.
Крышка не открывается.	В морозильном ларе отрицательное давление.	Подождите 2-3 минуты до устранения отрицательного давления и повторите попытку.
Вибрации и необычный шум.	Поверхность, на которой установлено изделие, негоризонтальная.  Изделие касается окружающих предметов.  перегородка не закреплены.	Разместите морозильный ларь на плоской, горизонтальной и устойчивой поверхности.  Отодвиньте ларь от других изделий или мебели.  Проверьте извлекаемые принадлежности и переустановите их.

# Гарантия, запасные части и сервис

## Отказ от гарантийных обязательств

Поломки и повреждения, обусловленные напрямую или косвенно несоблюдением правил эксплуатации, использованием не по назначению, неудовлетворительным техническим обслуживанием, неправильным механическим или электрическим монтажом. Пожары, аварии, удары молнии, перепады напряжения или другие электрические нарушения, включая дефектные плавкие предохранители или неисправности питающей сети.

Следует иметь в виду, что внесение изменений в конструкцию изделия или комплектацию изделия ведет к аннулированию гарантии и ликвидации ответственности за качество изделия, а само изделие нельзя будет эксплуатировать законно. Сертификация, указанная на табличке с паспортными данными, также станет недействительной.

Вопросы, связанные с транспортными повреждениями, обнаруженными покупателем, как правило, решаются между покупателем и дистрибьютором, т.е. дистрибьютор обязан удовлетворить претензии покупателя.

Прежде чем обращаться к специалистам за оказанием технической помощи, выясните, не можете ли вы устранить неисправность самостоятельно. Если на ваше обращение за оказанием помощи гарантия не распространяется, например, если изделие вышло из строя в результате перегорания плавкого предохранителя или нарушения правил эксплуатации, вам будет выставлен счет, исходя из расходов на оказание технической помощи.

## Запасные части

При заказе запасных частей укажите тип, Продукт и заводской номера вашего изделия . Эта информация приведена на табличке с паспортными данными на задней стенке изделия. Табличка с паспортными данными содержит различную техническую информацию, включая тип и серийные номера.

Примечание: При необходимости ремонта или замены вашего изделия обращайтесь только в официальные сервисные центры!

## Утилизация



**Информация по обращению с отходами для стран, не входящих в Европейский Союз**



Действие данных символов распространяется только на Европейский Союз. Если Вы собираетесь выбросить данный продукт, узнайте в местных органах власти или у дилера, как следует поступать с отходами такого типа.

- GB Reserving the right to alter specifications without prior notice.
- DE Recht auf Änderungen vorbehalten.
- FR Nous nous réservons le droit d'apporter toutes modifications à nos produits
- ES La empresa se reserva el derecho a efectuar modificaciones
- DK Ret til ændringer forbeholdes
- RUS Оставляет за собой право на изменение спецификаций без предварительного уведомления.